

GERBER

VITREOUS CHINA

TOILET WS-20-902

LAVATORIES

TOILETS

BIDETS / URINALS

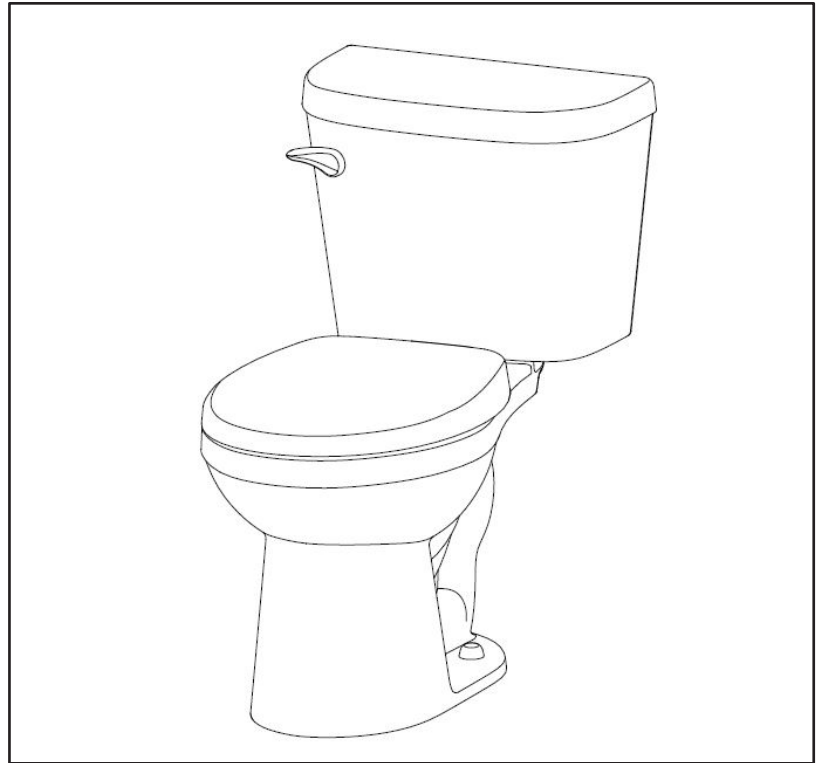
CAST IRON

MAXWELL® 1.28 Round Front Toilet

12" Rough-in

Features:

- 1.28 gpf/4.8 Lpf high efficiency two-piece toilet
- Round Front bowl
- Dual-fed siphon jet
- Pilot fill valve
- 3" flush valve
- 2" glazed trapway
- Color matched front tank lever (white only)
- Optional insulated non-sweating tank
- Optional right-handed trip lever
- Available in White, Bone and Biscuit
- 2 bolt caps
- Seat not included



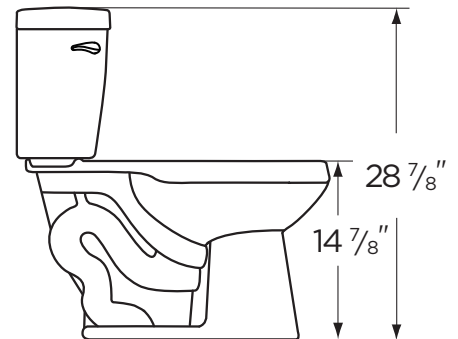
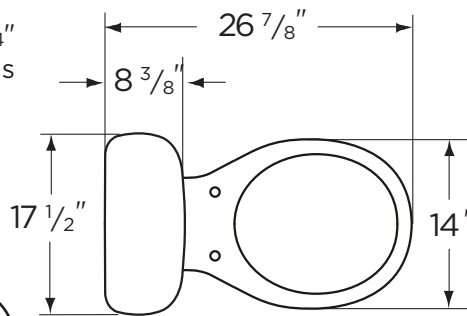
Specifications: Bowl—#MX-21-952 Round Front Bowl Tank—#28-990

Dimensions:

- Height..... 28 7/8"
- Width..... 17 1/2"
- Depth..... 26 7/8"
- Rough-in..... 12"
- Water Surface from Rim 6"
- Trapway..... 2"
- Water Surface 9 1/8" x 7"
- Water Seal 2 1/4"
- Shipping Weight 76 lbs

Warranty:

- Limited Lifetime Warranty



THIS FIXTURE QUALIFIES ACCORDING TO ASME TEST PROCEDURES AS A HIGH EFFICIENCY WATER CLOSET WITH AN AVERAGE CONSUMPTION OF 1.28 gpf (4.8 Lpf) OR LESS.

www.gerberonline.com



HIGH-EFFICIENCY TOILETS

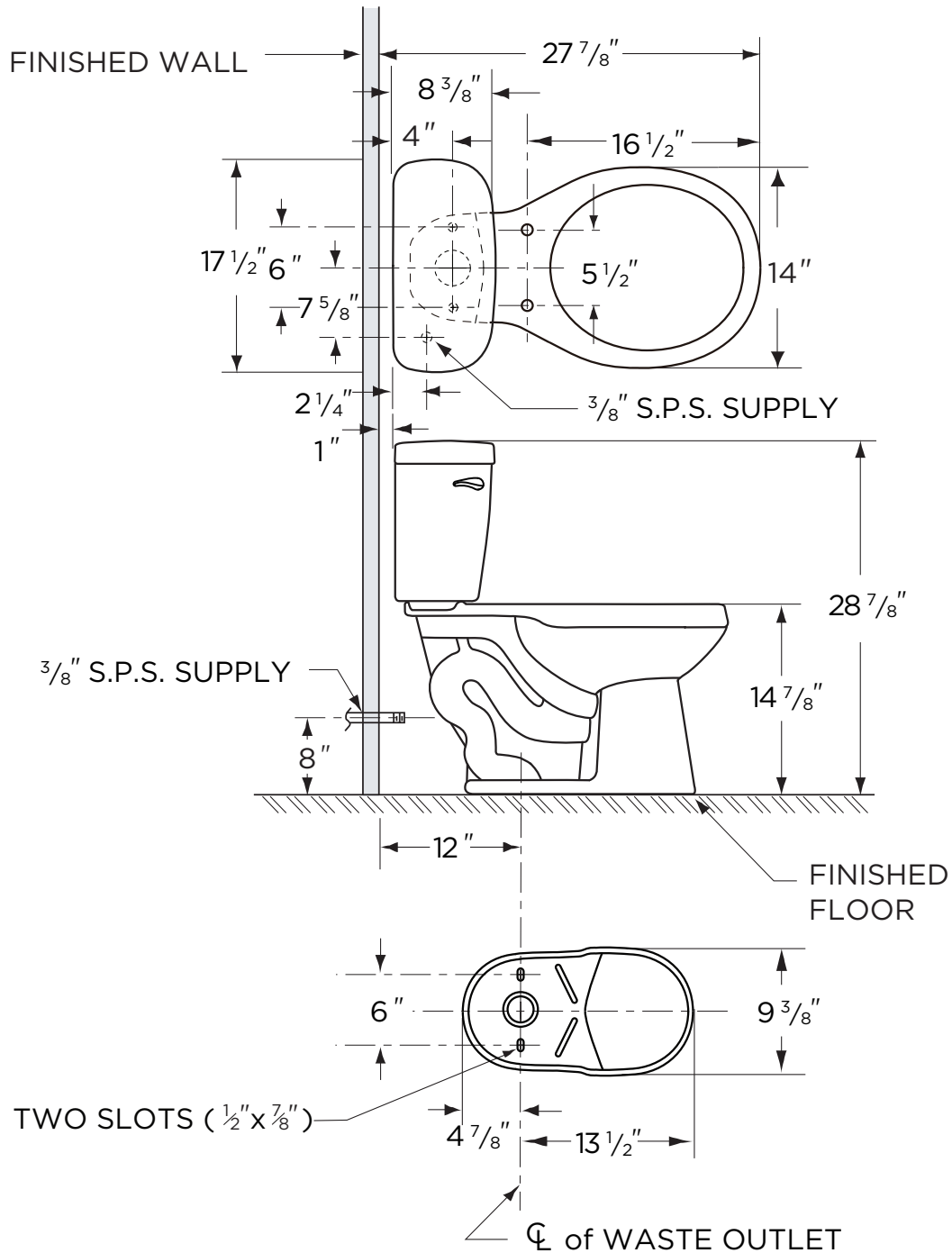
HET





1.28 gpf (4.8 Lpf) MAXWELL® 1.28 TOILET

WS-20-902
Round Front, 12" Rough-in
(Bowl MX-21-952 with Tank 28-990)



NOTES:

All dimensions are in inches.

Illustrations may not be drawn to scale.

IMPORTANT:

Dimensions of fixtures are nominal and may vary within the range of tolerances established by ASME Standard A 112.19.2.

THIS FIXTURE QUALIFIES ACCORDING TO ASME TEST PROCEDURES AS A HIGH EFFICIENCY WATER CLOSET WITH AN AVERAGE CONSUMPTION OF 1.28 gpf (4.8 Lpf) OR LESS.