

Features:

VP-21-510

- Vitreous China
- Combination bowl and tank
- 3" Flush valve with Fluidmaster® fill valve for quiet fill
- 10" Rough-in
- Elongated bowl
- Dual-fed siphon jet action bowl (no splashing)
- 2" Fully Glazed trapway for effective waste removal
- Color matched metal tank lever
- 6 point tank to bowl connection for tank stability
- Sanitary bead for easy cleaning
- Color matched Bolt caps included
- Toilet seat not included



Technical Information:

Included Components:

- Combination VP-21-510
- Bowl VP-21-562
- Tank VP-28-595

Other Tank Options: (bowl to be purchased separately)

- Tank with Right Hand Lever VP-28-595-97

Fixtures:

Configuration	two-piece, elongated
Water per Flush	1.6 gpf (6 lpf)
Rough-In	10"
Height	28 7/8"
Width	18 1/4"
Depth	27 3/8"
Trapway	2"
Large Water Surface	9 1/4" x 6 1/8"
Shipping Weight	71 lbs

Optional Accessories: (to be purchased separately)

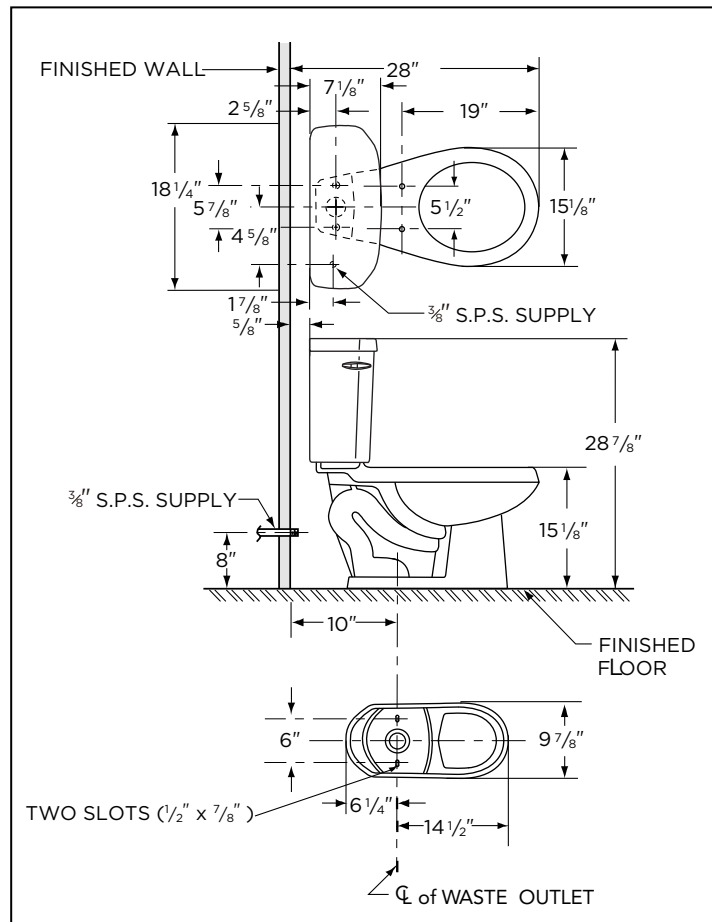
Soft Close Toilet Seat	99-213
------------------------	--------

Colors/Finishes:

- White
- Other: Refer to Price Book for additional colors/finishes

Warranty:

- 5 year, Limited lifetime warranty



NOTES: All dimensions are in inches. Illustrations may not be drawn to scale.

IMPORTANT:

Dimensions of fixtures are nominal and may vary within the range of tolerances established by ASME standard A 112.19.2 THIS FIXTURE QUALIFIES ACCORDING TO ASME TEST PROCEDURES AS A HIGH EFFICIENCY WATER CLOSET WITH AN AVERAGE CONSUMPTION OF 1.6 gpf (6.0 Lpf) OR LESS.