



VITREOUS CHINA

TOILET
SE-20-112

MAXWELL® SE Elongated Toilet

12" Rough-in

Features:

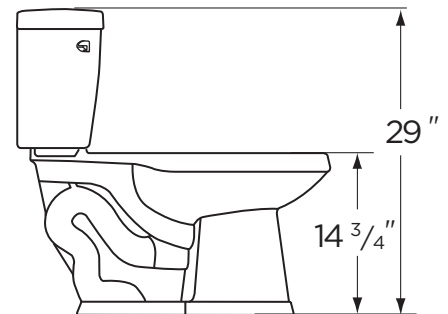
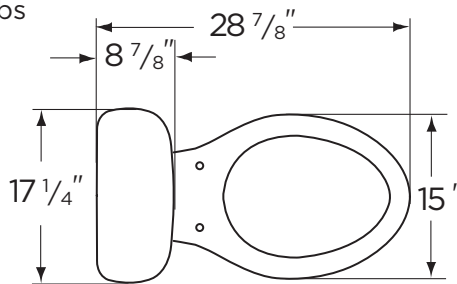
- 1.6 gpf/6 Lpf two-piece toilet
- Elongated bowl
- Dual-fed siphon jet
- 2" flush valve
- Glazed trapway
- Color matched front tank lever (white only)
- Optional insulated non-sweating tank
- Optional right-handed trip lever
- Available in White, and Biscuit
- 2 bolt caps
- Seat not included



Dimensions:

- Height29"
- Width17 1/4"
- Depth 28 7/8"
- Rough-in12"
- Water Surface from Rim5 1/2"
- Trapway1 3/4"
- Water Surface11" x 8"
- Water Seal2 1/2"
- Shipping Weight 75.5 lbs

Specifications: Bowl—#SE-21-162 Elongated Bowl Tank—#28-170

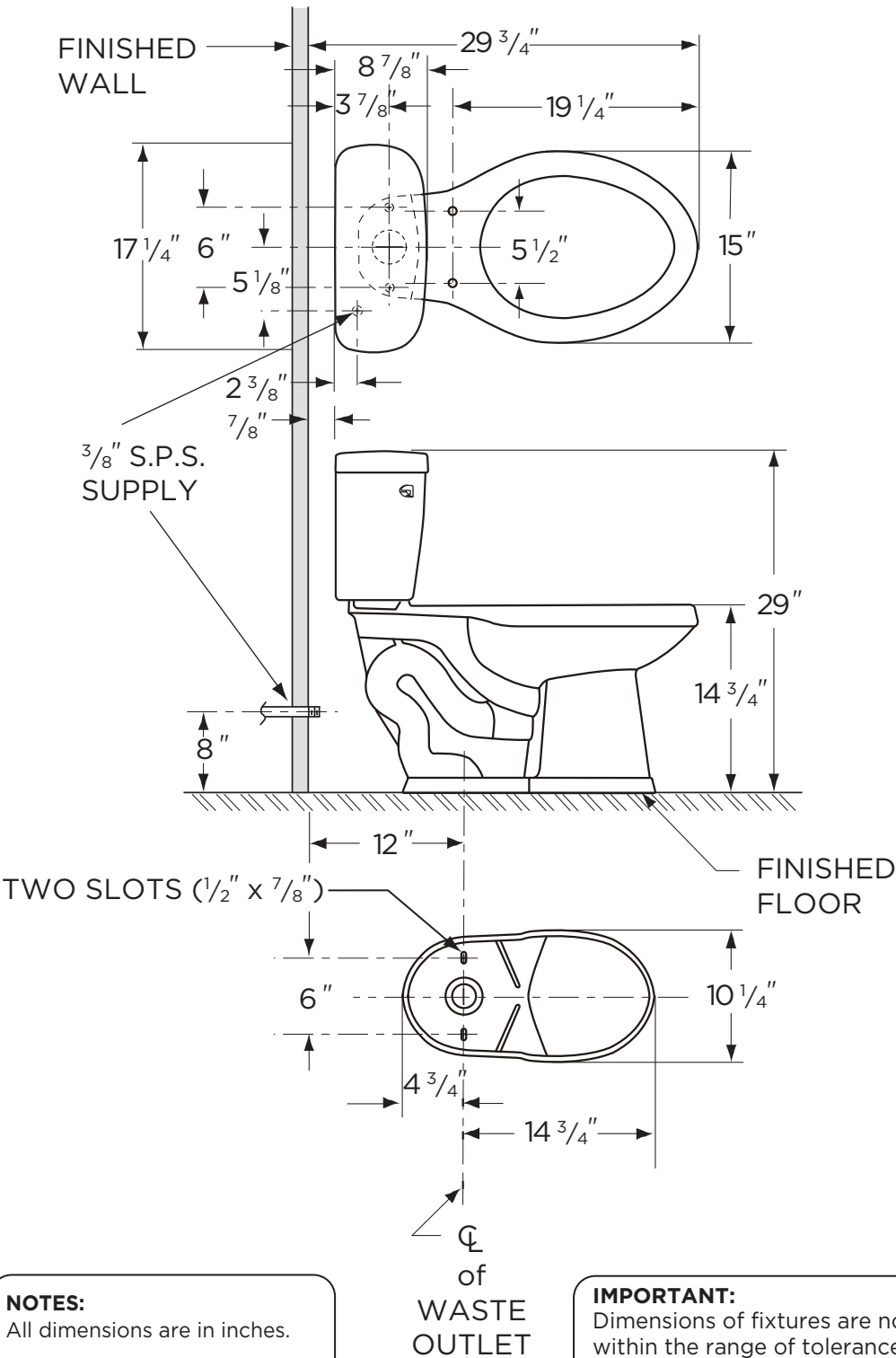


THIS FIXTURE QUALIFIES ACCORDING TO ASME TEST PROCEDURES AS A LOW CONSUMPTION WATER CLOSET WITH AN AVERAGE CONSUMPTION OF 1.6 gpf (6Lpf) OR LESS.



www.gerberonline.com

Job Name	
Date	
Model Specified	
Quantity	
Customer	
Contractor	
Architect/engineer	



NOTES:
 All dimensions are in inches.
 Illustrations may not be drawn to scale.

IMPORTANT:
 Dimensions of fixtures are nominal and may vary within the range of tolerances established by ASME Standard A 112.19.2.
 THIS FIXTURE QUALIFIES ACCORDING TO ASME TEST PROCEDURES AS A LOW CONSUMPTION WATER CLOSET WITH AN AVERAGE CONSUMPTION OF 1.6 gpf (6Lpf) OR LESS.