



# GERBER

VITREOUS CHINA  
TOILET  
**EF-21-318**

LAVATORIES

TOILETS

BIDETS / URINALS

CAST IRON



## ULTRA FLUSH® 1.1 Pressure-Assist Toilet 17" Elongated ErgoHeight™

12" Rough-in

### Features:

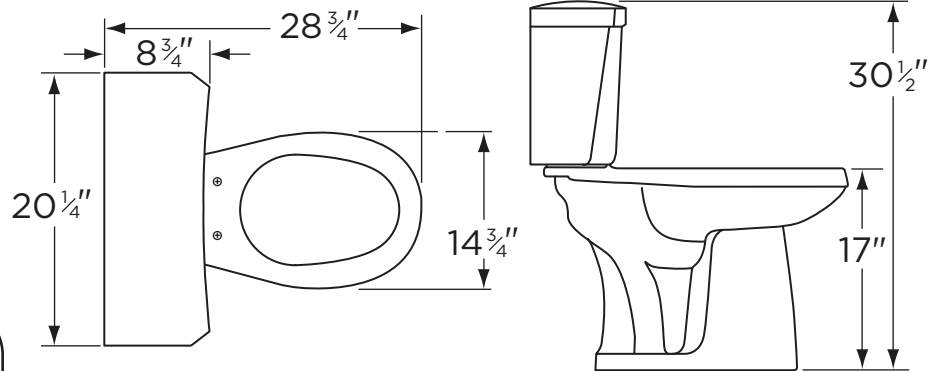
- Water Conservation 1.1 gpf (4.0 Lpf)
- Elongated ErgoHeight™ Bowl
- Pressurized Flushing Action
- Close Coupled Flushometer Tank
- Siphon Jet
- Front Tank Lever
- Optional Right-handed Trip Lever Available
- 2 Bolt Caps
- ADA Compliant



### Dimensions:

- Height ..... 30 1/2"
- Width ..... 20 1/4"
- Depth ..... 28 3/4"
- Rough-in ..... 12"
- Water Surface from Rim .... 4 1/2"
- Trapway (min)..... 2"
- Water Surface ..... 12" x 10"
- Water Seal ..... 2 1/2"
- Shipping Weight ..... 96 lbs

**Specifications:** Bowl—#21-377 Elongated ErgoHeight™ Tank—#EF-28-380  
Seat not included



THIS FIXTURE QUALIFIES ACCORDING TO ASME TEST PROCEDURES AS A HIGH EFFICIENCY TOILET (HET) WITH AN AVERAGE CONSUMPTION OF 1.1 GPF OR LESS.

HIGH EFFICIENCY TOILET  
**HET**



www.gerberonline.com

Job Name	
Date	
Model Specified	
Quantity	
Customer	
Contractor	
Architect/engineer	



# GERBER

1.1 gpf (4.0 Lpf) Ultra Flush® 1.1 Toilet  
EF-21-318  
17" Elongated ErgoHeight™, 12" Rough-in  
(Bowl 21-377 with Tank EF-28-380)

