



VITREOUS CHINA

TOILET
EF-21-302

LAVATORIES

TOILETS

BIDETS / URINALS

CAST IRON



ULTRA FLUSH® 1.1 Pressure-Assist Toilet Round Front

12" Rough-in

Features:

- Water Conservation 1.1 gpf (4.0 Lpf)
- Round Front Bowl
- Pressurized Flushing Action
- Close Coupled Flushometer Tank
- Siphon Jet
- Front Tank Lever
- 2 Bolt Caps

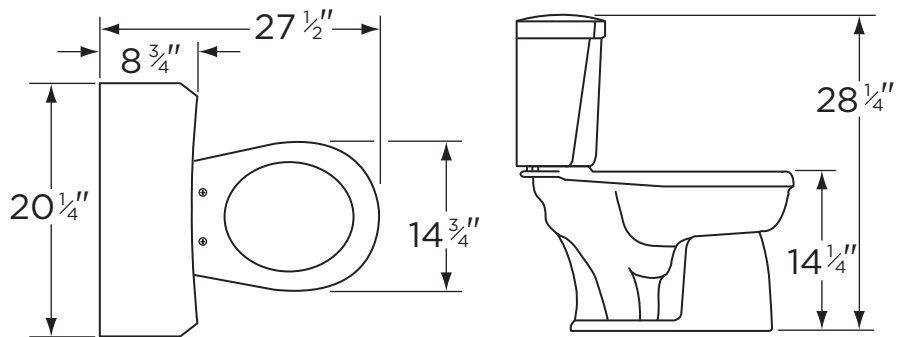
Dimensions:

- Height 28 1/4"
- Width 20 1/4"
- Depth 27 1/2"
- Rough-in 12"
- Water Surface from Rim 4 5/8"
- Trapway (ave)* 3 1/8"
- Trapway (min) 2"
- Water Surface 12" x 10"
- Water Seal 2 1/2"
- Shipping Weight 90 lbs

*Average diameter of 26 equally spaced points throughout the trapway of 3 randomly selected bowls



Specifications: Bowl—#21-342 Round Front Tank—#EF-28-380
Seat not included



THIS FIXTURE QUALIFIES ACCORDING TO ASME TEST PROCEDURES AS A HIGH EFFICIENCY TOILET (HET) WITH AN AVERAGE CONSUMPTION OF 1.1 GPF OR LESS.



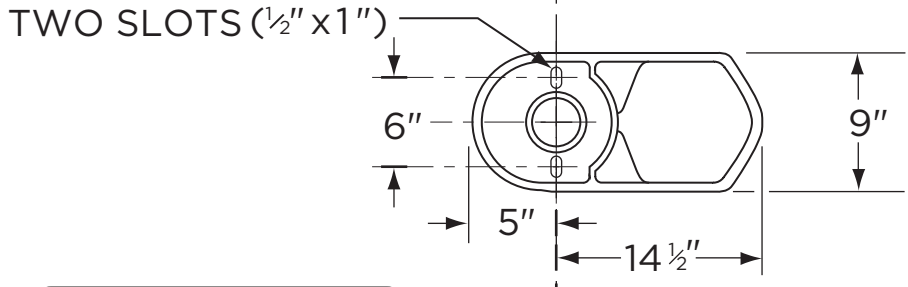
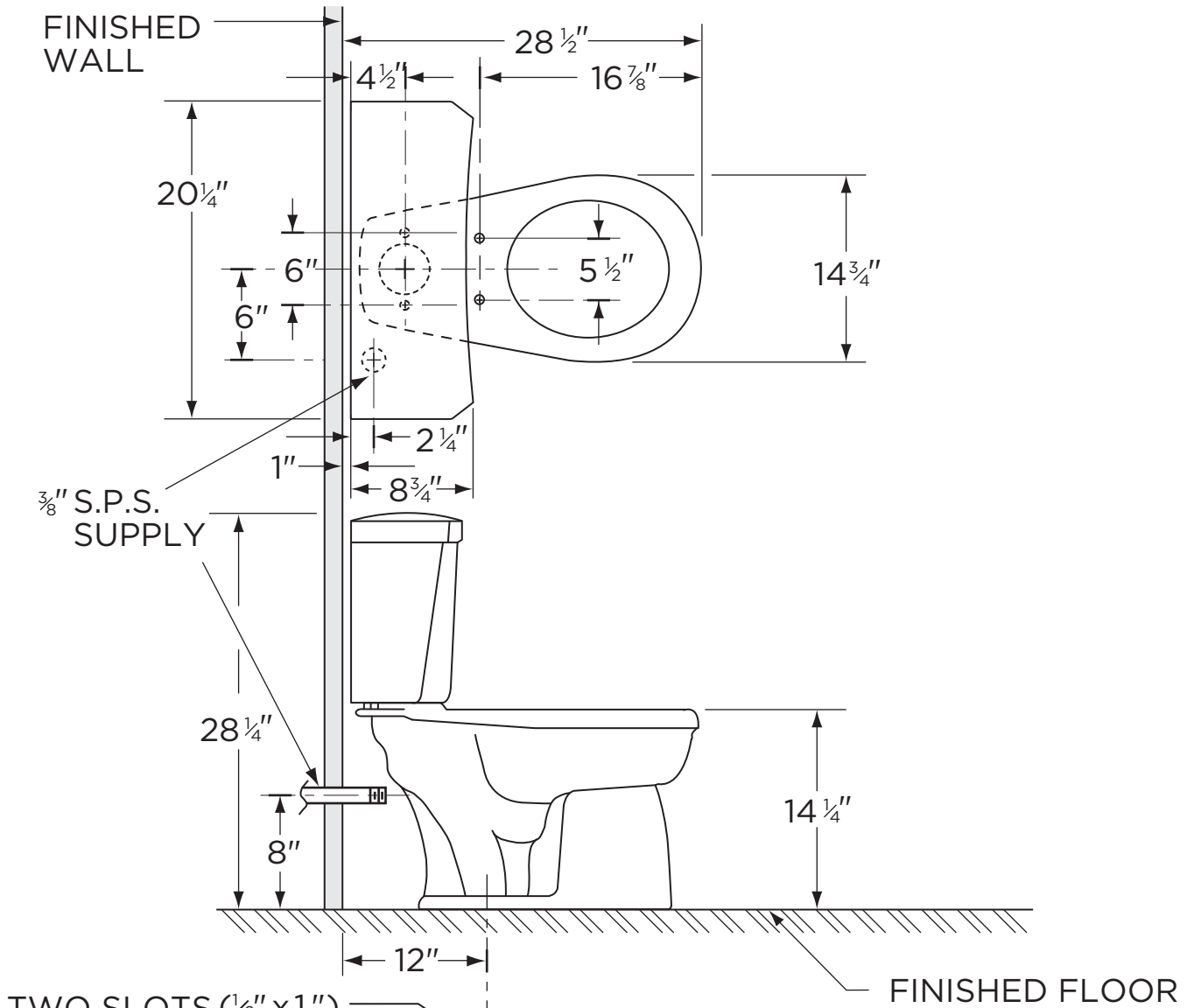
www.gerberonline.com

Job Name	
Date	
Model Specified	
Quantity	
Customer	
Contractor	
Architect/engineer	



1.1 gpf (4.0 Lpf) ULTRA FLUSH® 1.1 TOILET

EF-21-302
Round Front, 12" Rough-in
(Bowl 21-342 with Tank EF-28-380)



NOTES:
All dimensions are in inches.
Illustrations may not be drawn to scale.

⊕
of
WASTE
OUTLET

IMPORTANT:
Dimensions of fixtures are nominal and may vary within the range of tolerances established by ASME Standard A 112.19.2.
THIS FIXTURE QUALIFIES ACCORDING TO ASME TEST PROCEDURES AS A HIGH EFFICIENCY TOILET (HET) WITH AN AVERAGE CONSUMPTION OF 1.1 gpf OR LESS.