



GERBER

VITREOUS CHINA
TOILET
DF-21-110

LAVATORIES

TOILETS

BIDETS / URINALS

CAST IRON



MAXWELL® DUAL FLUSH Gravity Toilet Elongated

10" Rough-in

Features:

- Dual Flush 1.1/1.6 gpf (4.0/6.0 Lpf)
- High Efficiency Toilet (HET)
- Elongated Bowl
- Glazed Trapway
- Reverse Trap
- Front Jet Flushing Action
- Top Mounted, Two-button Actuator
- Siphonic Flush Action Keeps Bowl Clean
- Available in White and Biscuit
- 2 Bolt Caps

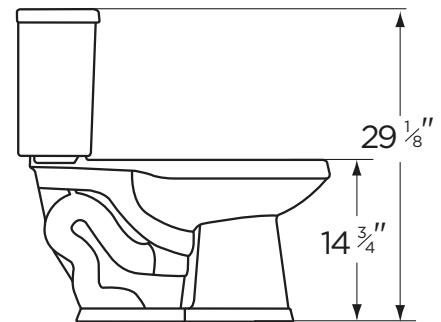
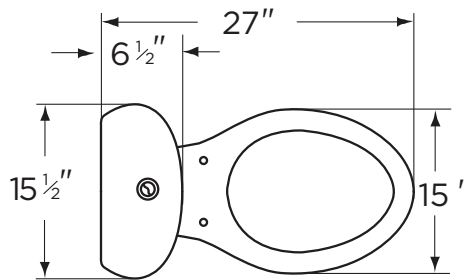


Dimensions:

- Height 29 1/8"
- Width 15 1/2"
- Depth 27"
- Rough-in 10"
- Water Surface from Rim 5 1/2"
- Trapway 1 3/4"
- Water Surface 11" x 8"
- Water Seal 2 1/2"
- Shipping Weight 65 lbs

Specifications: Bowl—#21-162 Elongated
Seat not included

Tank—#DF-28-195



THIS FIXTURE QUALIFIES ACCORDING TO ASME TEST PROCEDURES AS A WATER CLOSET WITH AN AVERAGE CONSUMPTION OF 1.6 gpf (6 Lpf) OR LESS.



www.gerberonline.com

Job Name	
Date	
Model Specified	
Quantity	
Customer	
Contractor	
Architect/engineer	



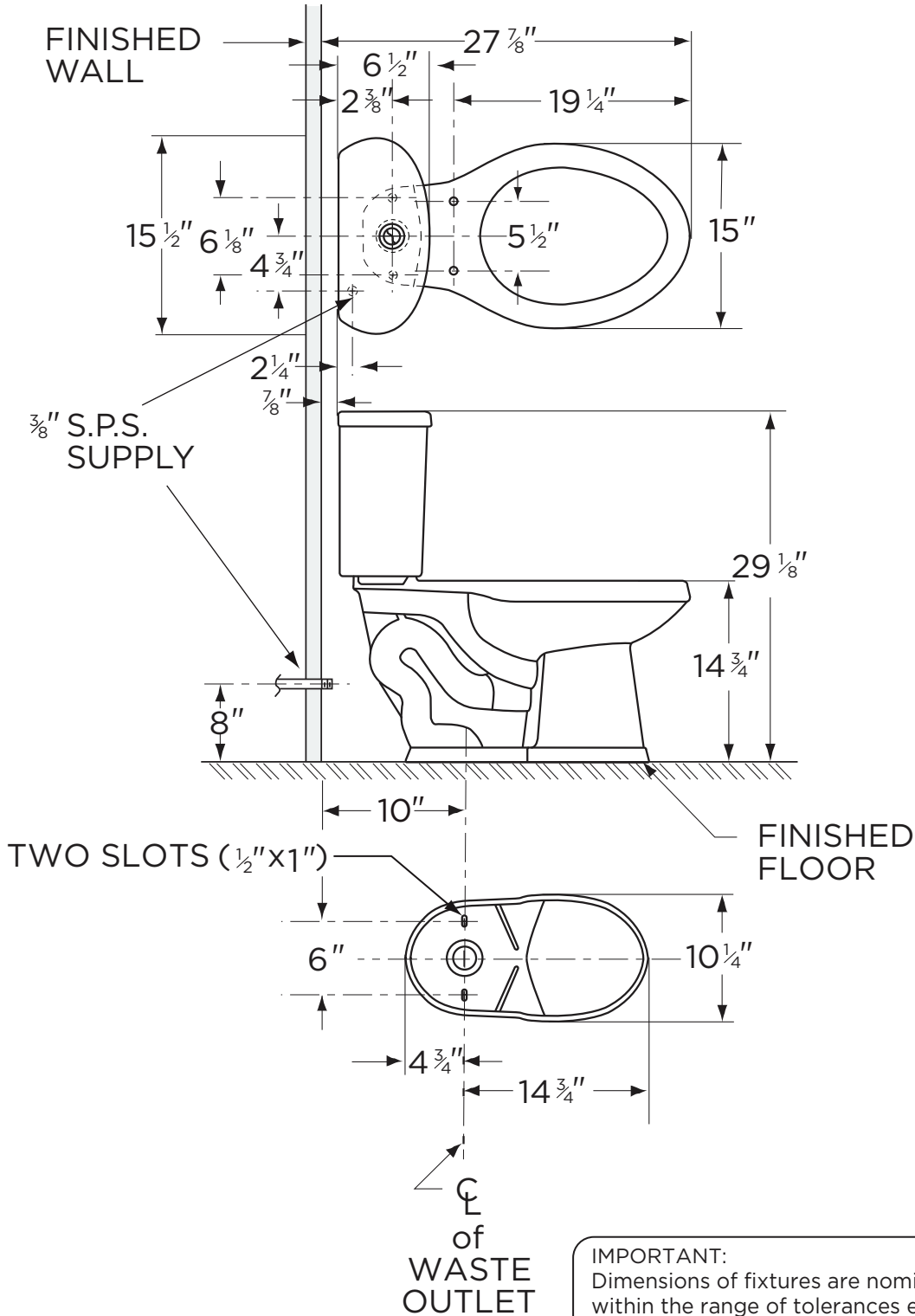
GERBER

1.1/1.6 gpf (4.0/6.0 Lpf) Mawell® Dual Flush Toilet

DF-21-110

Elongated, 10" Rough-in

(Bowl 21-162 with Tank DF-28-195)



NOTES:
All dimensions are in inches.
Illustrations may not be drawn to scale.

IMPORTANT:
Dimensions of fixtures are nominal and may vary within the range of tolerances established by ASME Standard A 112.19.2.

THIS FIXTURE QUALIFIES ACCORDING TO ASME TEST PROCEDURES AS A WATER CLOSET WITH AN AVERAGE CONSUMPTION OF 1.6 gpf (6 Lpf) OR LESS.