



GERBER

www.gerberonline.com

Logan Square Dual Flush 1.1/1.6 GPF ErgoHeight™ ADA Elongated Toilet

12" Rough-In

Features:

□ DF-20-018

- Vitreous china
- Combination bowl and tank
- Dual Flush 1.1/1.6 gpf (4.0/6.0 Lpf) High efficiency toilet (HET)
- ADA height elongated bowl
- Syphonic flush action cleans the bowl and prevents splashing
- Top mounted, two-button actuator
- 2" fully glazed trapway for effective waste removal
- Available in White and Biscuit
- Color matched bolt caps included
- Toilet seat not included

Technical Information:

Included Components:

- Combination DF-20-018
- Bowl HE-21-538
- Tank DF-28-530

Fixtures:

Configuration	two-piece, elongated ErgoHeight™
Water per Flush	1.1/1.6 gpf (4.0/6.0 Lpf)
Rough-In	12"
Height	32 1/4"
Width	18 3/4"
Depth	29 3/4"
Trapway	2"
Large Water Surface	10 1/2" x 8 1/8"
Shipping Weight	93 lbs

Optional Accessories: (to be purchased separately)

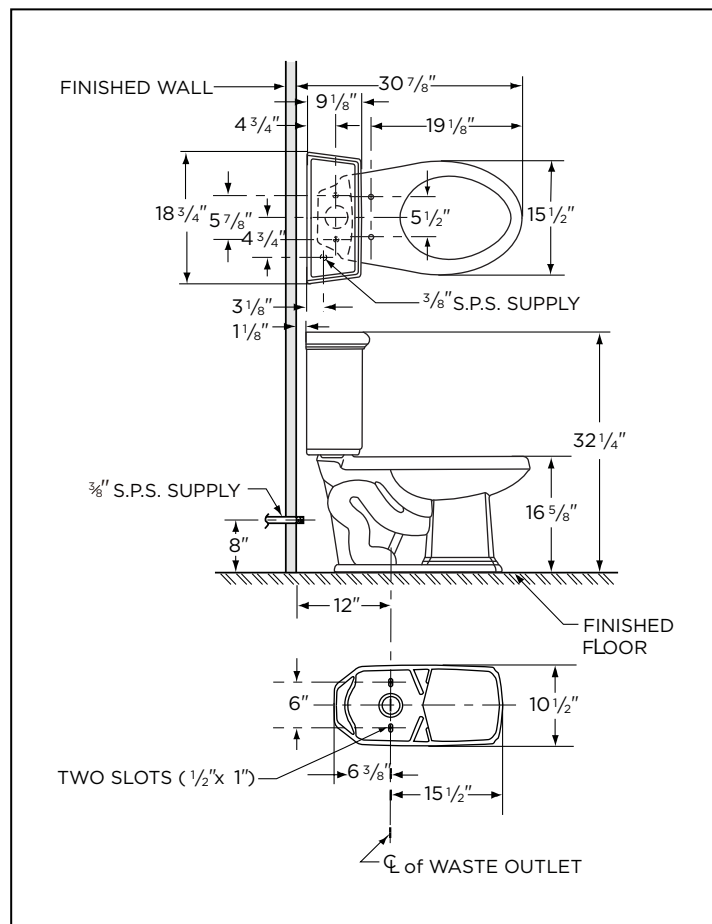
Soft Close Toilet Seat	99-213
------------------------	--------

Colors/Finishes:

- White
- Other: Refer to Price Book for additional colors/finishes

Warranty:

- Limited lifetime warranty



HIGH EFFICIENCY TOILET

HET



NOTES: All dimensions are in inches. Illustrations may not be drawn to scale.

IMPORTANT:

Dimensions of fixtures are nominal and may vary within the range of tolerances established by ASME standard A 112.19.2 THIS FIXTURE QUALIFIES ACCORDING TO ASME TEST PROCEDURES AS A HIGH EFFICIENCY WATER CLOSET WITH AN AVERAGE CONSUMPTION OF 1.28 gpf (4.8 Lpf) OR LESS.