



# GERBER

www.gerberonline.com

## Logan Square Dual Flush 1.1/1.6 GPF Elongated Toilet

12" Rough-In

### Features:

#### □ DF-20-016

- Vitreous china
- Combination bowl and tank
- Dual Flush 1.1/1.6 gpf (4.0/6.0 Lpf) High efficiency toilet (HET)
- Elongated bowl
- Syphonic flush action cleans the bowl and prevents splashing
- Top mounted, two-button actuator
- 2" fully glazed trapway for effective waste removal
- Available in White and Biscuit
- Color matched bolt caps included
- Toilet seat not included

### Technical Information:

#### Included Components:

- Combination      DF-20-016
- Bowl              HE-21-532
- Tank                DF-28-530

### Fixtures:

Configuration	two-piece, elongated
Water per Flush	1.1/1.6 gpf (4.0/6.0 Lpf)
Rough-In	12"
Height	31"
Width	18 3/4"
Depth	29 5/8"
Trapway	2"
Large Water Surface	10 1/8" x 7 1/8"
Shipping Weight	88 lbs

### Optional Accessories: (to be purchased separately)

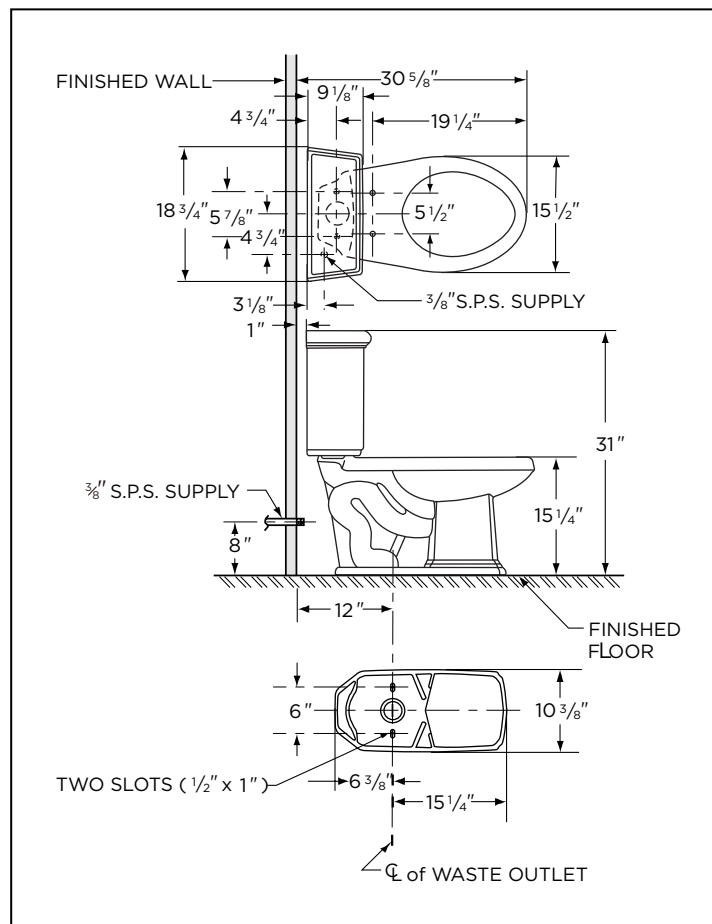
Soft Close Toilet Seat	99-213
------------------------	--------

### Colors/Finishes:

- White
- Other: Refer to Price Book for additional colors/finishes

### Warranty:

- Limited lifetime warranty



HIGH EFFICIENCY TOILET

# HET



NOTES: All dimensions are in inches. Illustrations may not be drawn to scale.

#### IMPORTANT:

Dimensions of fixtures are nominal and may vary within the range of tolerances established by ASME standard A 112.19.2 THIS FIXTURE QUALIFIES ACCORDING TO ASME TEST PROCEDURES AS A HIGH EFFICIENCY WATER CLOSET WITH AN AVERAGE CONSUMPTION OF 1.28 gpf (4.8 Lpf) OR LESS.