



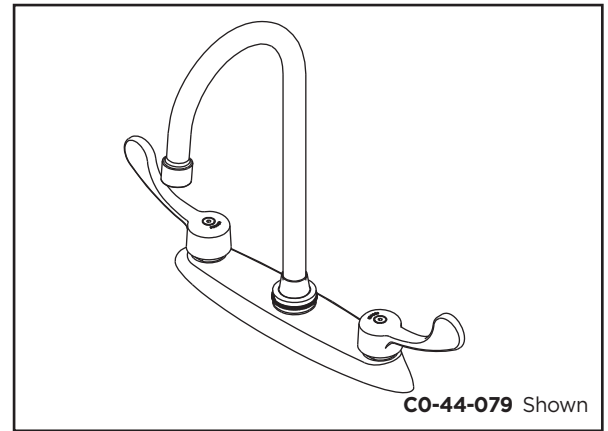
GERBER

C0-44-079 Series Commercial Faucet Two Handle Kitchen Faucet



Features:

- Solid cast brass housing w/heavy chrome plating
- Choice of vandal proof wrist blade or metal lever handles
- Color-coded handle screws
- Goose neck spout
- Ceramic disc cartridges
- 8" centers for mounting
- 1.75 gpm (6.6 L/min) maximum aerator G0091843 @ 60 psi
- 1/2" NPSM supply connection
- Lead free waterway per NSF/ANSI 372
- Complies with ADA requirements
- Max. 1 5/8" deck thickness

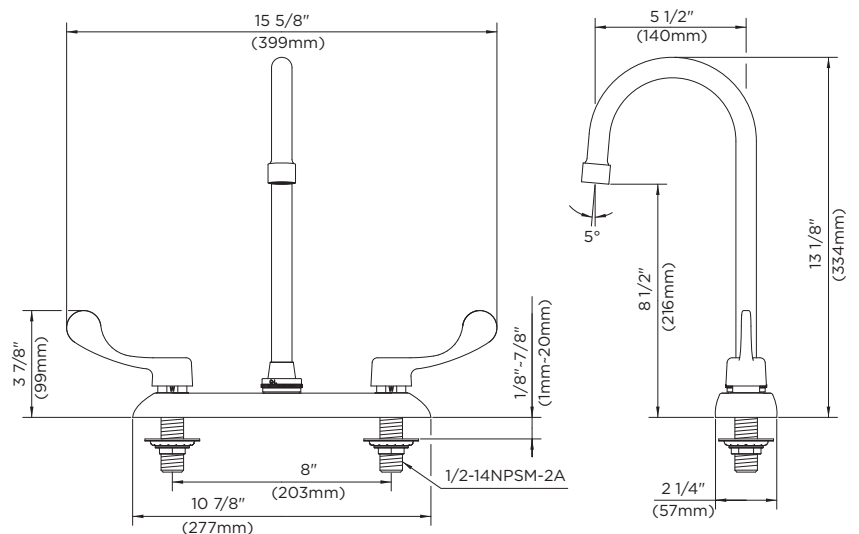


Standards & Certifications:

- ASME A112.18.1M
- NSF/ANSI 372
- IAPMO/cUPC
- ICC/ANSI A117.1
- MASS Code

Catalog Numbers:

- C0-44-079** Less Spray, Wrist Blade Handle
- C0-44-779** With Spray, Wrist Blade Handle
- C4-44-079** Less Spray, Lever Handle
- C4-44-779** With Spray, Lever Handle



Prefixes Available:

- C0 = Metal Wrist Blade Handles
- C4 = Metal Lever Handles

Suffixes Available:

None

Job Name	
Date	
Model Specified	
Quantity	
Customer	
Contractor	
Architect/engineer	

Gerber Toll Free Technical Support: 888-648-6466
www.gerberonline.com