

10" Rough-in

Features:

AV-20-800

- Vitreous China
- 17" Tall, ErgoHeight® ADA Round Front Bowl
- 10" Rough-in
- Featuring the "PowerClean" Flush System
- Fluidmaster 400A Fill Valve
- 3" flush valve for maximum water force
- Corrosion resistant Fluidmaster flapper
- Extra-Large Dual fed siphon jets for high power bowl clearing
- Powerful, 100% glazed, 2" trapway to quickly siphon waste from bowl
- Double nut, multi-point tank-to-bowl mounting system for tool-free installation
- Chrome metal tank lever with solid durable brass arm
- Toilet seat not included
- Available April 2018



Technical Information:

Included Components:

- Combination AV-20-800
- Bowl AB-21-852
- Tank AL-28-895

Other Tank Options: (bowl to be purchased separately)

- Insulated Tank
- Tank with Right Hand Lever
- Insulated Tank with Lid Locking Device

Fixtures:

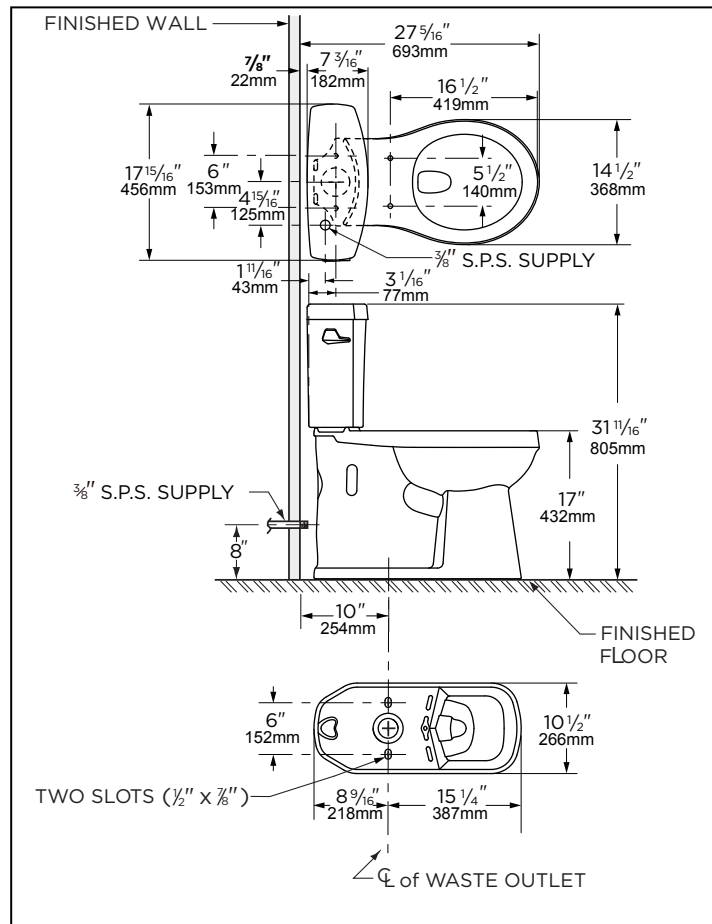
Configuration	Two-piece, ErgoHeight® ADA Round Front
Water per Flush	1.6 gpf (6.0 Lpf)
Rough-In	10"
Height	31 11/16"
Width	17 15/16"
Depth	26 7/16"
Trapway	2"
Large Water Surface	8 11/16" x 6 5/16"
Product Weight	88 lbs

Colors:

- White
- Other: Refer to Price Book for additional colors

Warranty:

- 10 Year Warranty, Limited Lifetime on Vitreous China



NOTES: All dimensions are in inches and millimeters. Illustrations may not be drawn to scale.

IMPORTANT:

Dimensions of fixtures are nominal and may vary within the range of tolerances established by ASME standard A 112.19.2 THIS FIXTURE QUALIFIES ACCORDING TO ASME TEST PROCEDURES AS A LOW CONSUMPTION WATER CLOSET WITH AN AVERAGE CONSUMPTION OF 1.6gpf (6 Lpf) OR LESS.