




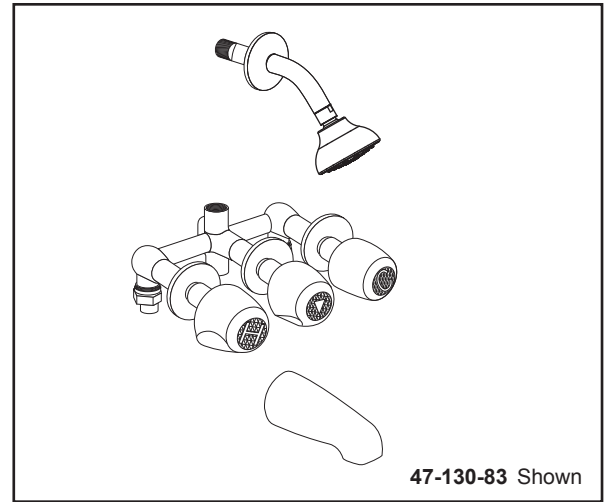
# GERBER

## 47-130-83 Series Gerber Classics Three Handle Tub & Shower Fittings



### Features:

- Features compression stems
- Body cast of high copper content brass
- Exposed parts have heavy chrome plate finish
- Working parts can easily be replaced
- Single function showerhead 49-107 at max. 2.0GPM (7.6LPM) WaterSense listed 
- 1/2" I.P.S. or Sweat water inlet connections
- 11" Centers with sliding sleeve escutcheons
- ADA compliant handle operates with less than 5 lbs. force
- Three valve with center diverter
- Zinc die cast tub spout



47-130-83 Shown

### Standards & Certifications:

- ANSI/ASME A112.18.1M
- ANSI A117.1 (ADA)
- IAPMO/cUPC

### Catalog Numbers:

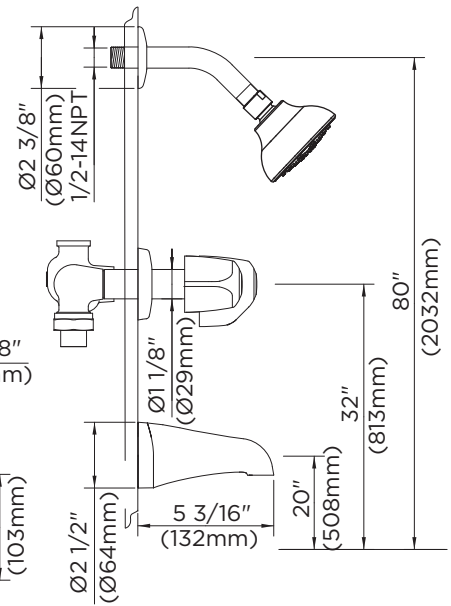
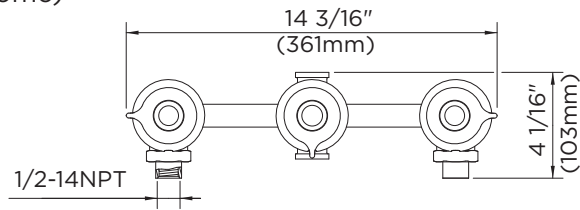
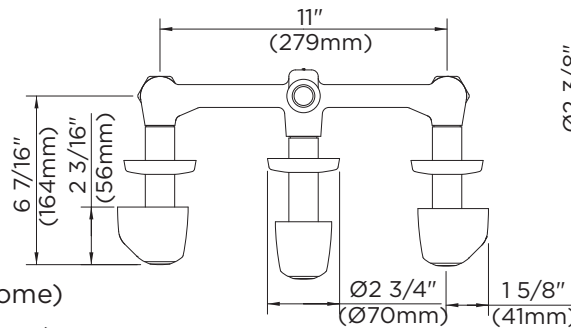
- 47-130-83** IPS/Sweat (Chrome)
- 07-47-130-83** IPS/Sweat(Chrome)

### Prefixes Available:

07-Metal Fluted Handles

### Suffixes Available:

None



Job Name	
Date	
Model Specified	
Quantity	
Customer	
Contractor	
Architect/engineer	

Gerber Toll Free Technical Support: 888-648-6466  
www.gerberonline.com