

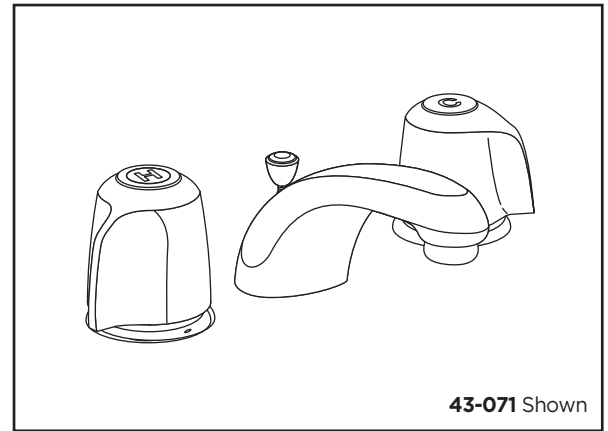


Two Handle Widespread Lavatory Faucet



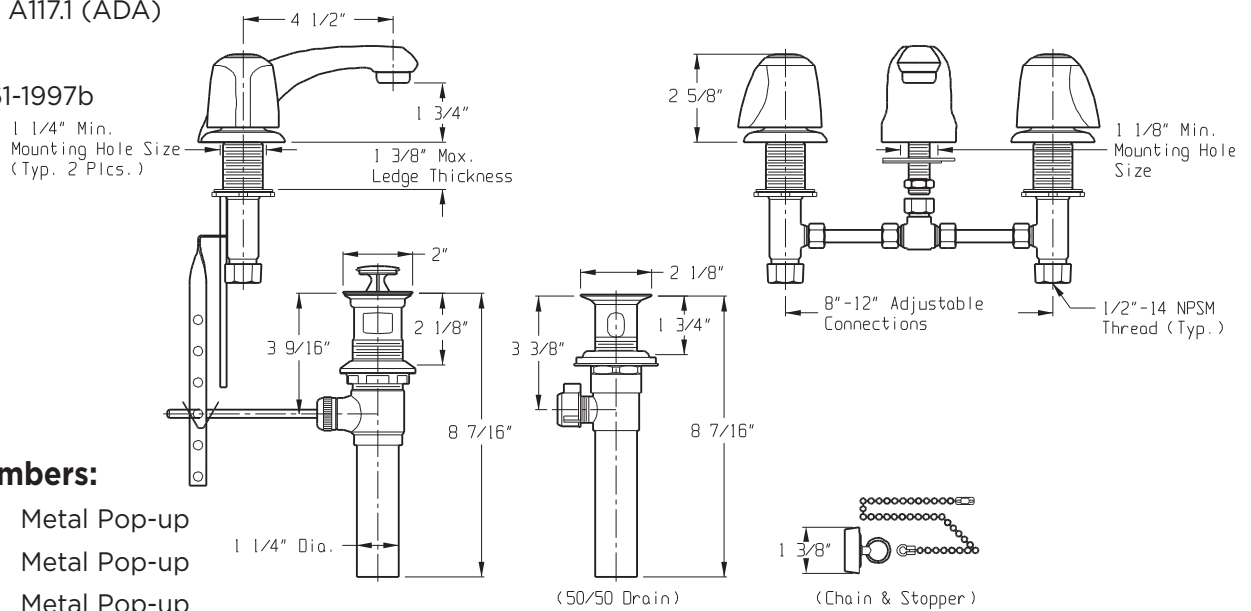
Features:

- Cast brass end valves and spout body
- Metal handles with acrylic hot and cold index buttons
- Compression stems with renewable brass seats
- Working parts can be easily replaced
- 8" - 12" rigid copper and flex connectors
- 2.2 gpm (8.3 L/min) @ 60 psi maximum aerator
- ADA compliant handles operate with less than 5 lbs. force



Technical Specifications:

- ASME A112.18.1M
- CABO/ANSI A117.1 (ADA)
- CSA B125
- ANSI/NSF 61-1997b



Catalog Numbers:

- 43-071** Metal Pop-up
- 43-071-61** Metal Pop-up
- 07-43-071-61** Metal Pop-up

Prefixes Available:

For Less Handles, Ceramic Cartridges, See 53-220 Series
 07- Metal Fluted Handles

Suffixes Available:

-61 Flexible connectors (std w/ceramic)

Job Name	
Date	
Model Specified	
Quantity	
Customer	
Contractor	
Architect/engineer	

Gerber Toll Free Technical Support: 888-648-6466
 www.gerberonline.com