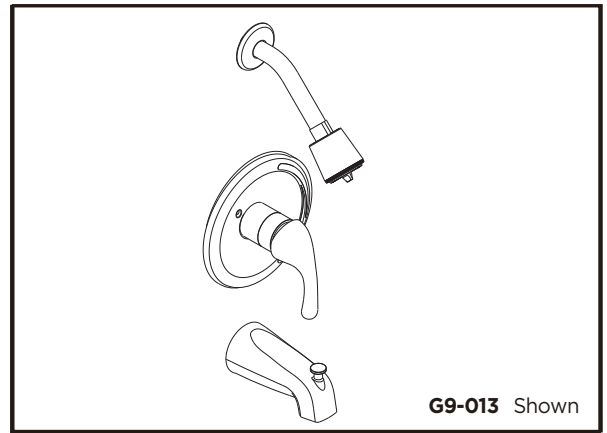




#### Features:

- Traditional styling
- 2" faceplate
- Shower at 2.5 gpm @ 80 psi
- Chrome and Brushed Nickel finishes
- Fit on Gerber PLUS™ washerless valves GS-315 series and washerless valves GS-303, GS-305
- Combination IPS / sweat connections
- Single function showerhead
- Back to back capability
- Diverter tub spout in thread/slip combination
- 4 3/4" tub spout length
- Fully ADA compliant
- Limited Lifetime Warranty



#### Standards & Certifications:

- ASME A112.18.1M
- ANSI A117.1
- IAPMO/cUPC
- Mass Code

#### Catalog Numbers:

- G9-010** Single Handle and Flange Trim Kit, Chrome
- G9-010-BN** Single Handle and Flange Trim Kit, Brushed Nickel
- G9-010-LP** Single Handle and Flange Trim Kit, Loop Handle, Chrome
- G9-012** Shower Only Trim Kit, Chrome
- G9-012-BN** Shower only trim kit, Brushed Nickel
- G9-012-LP** Shower only trim kit, Loop Handle, Chrome
- G9-013** Tub/Shower Trim Kit, Chrome
- G9-013-BN** Tub/Shower Trim Kit, Brushed Nickel
- G9-013-LP** Tub/Shower Trim Kit, Loop Handle, Chrome

#### Prefixes Available:

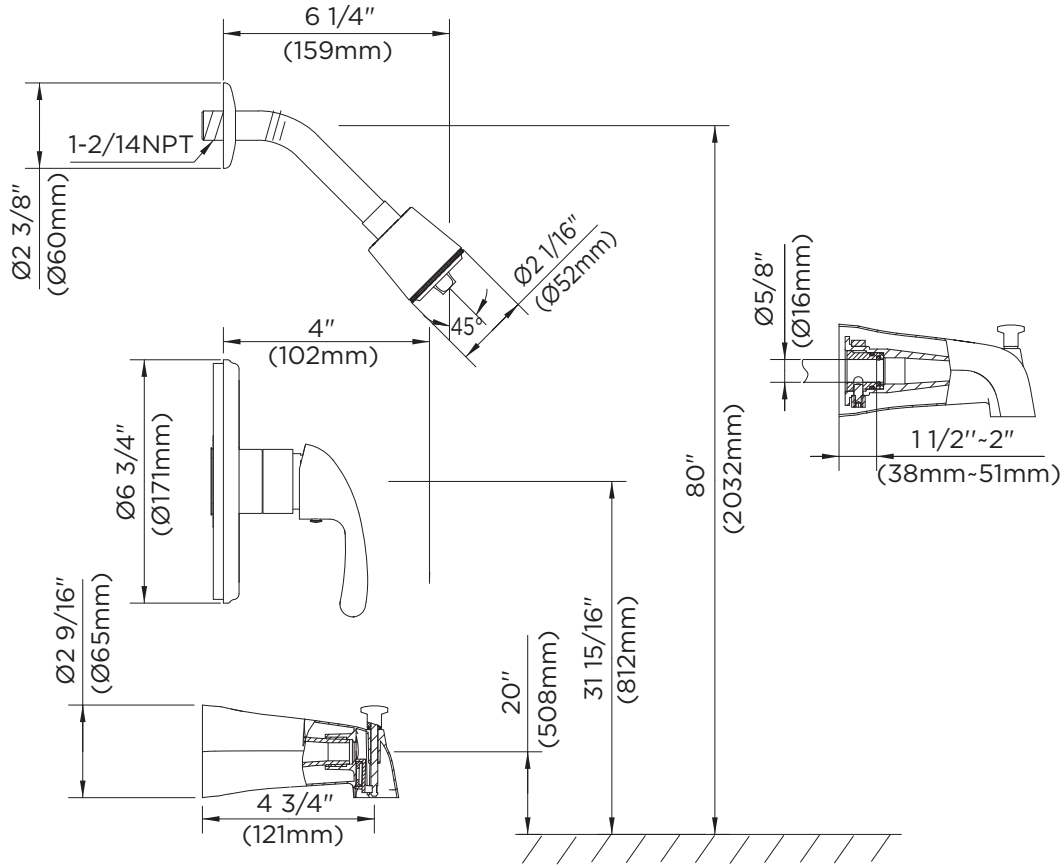
None

#### Suffixes Available:

None

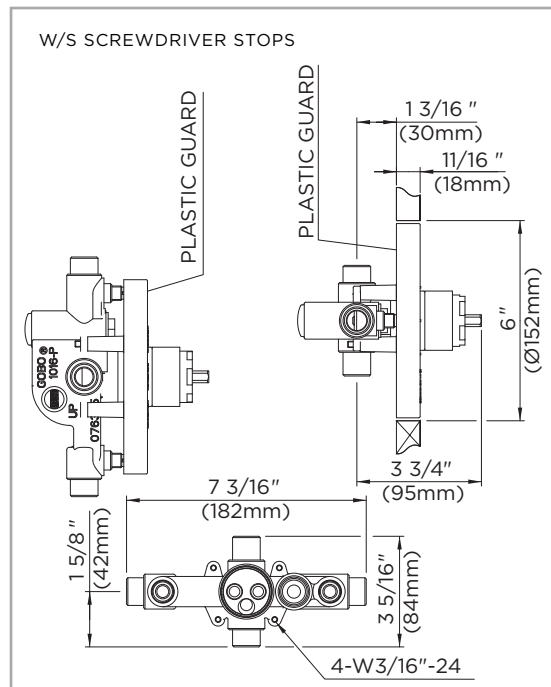
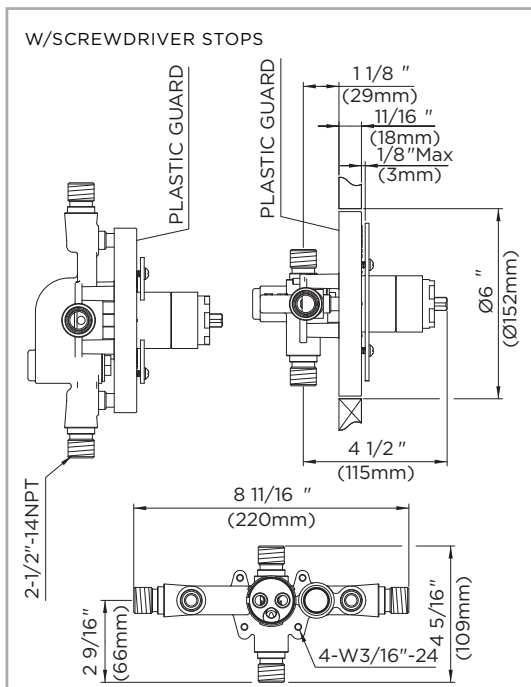
|                    |  |
|--------------------|--|
| Job Name           |  |
| Date               |  |
| Model Specified    |  |
| Quantity           |  |
| Customer           |  |
| Contractor         |  |
| Architect/engineer |  |

Gerber Toll Free Technical Support: 888-648-6466  
www.gerberonline.com



## SINGLE HANDLE PRESSURE BALANCE TUB & SHOWER VALVES

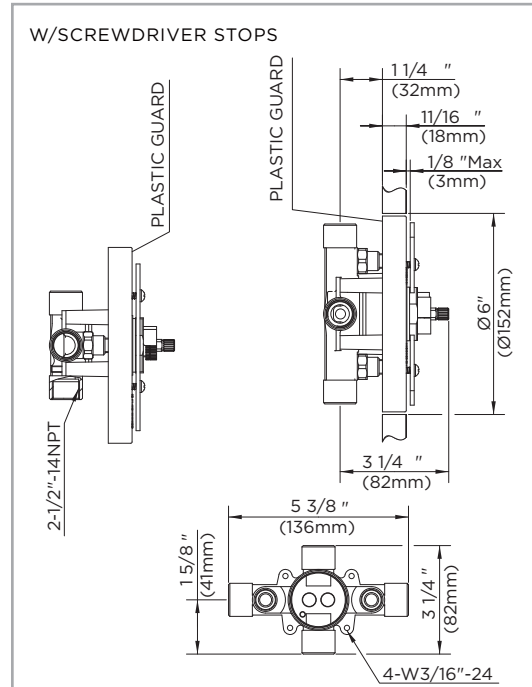
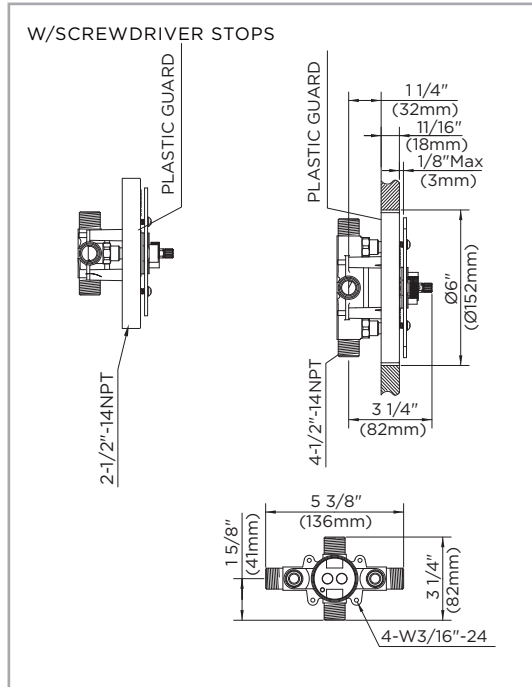
Critical Dimensions : Rough-in valve GS-303 (w/stops) & GS-305 (w/stops)





### GERBER PLUS VALVES

Critical Dimensions : Rough-in valve GS-315 (PK) (w/stops) & GS-313-PK (w/stops)



Critical Dimensions : Rough-in valve GS-314-PK (w/stops) & GS-317-PK (w/stops)

