

Features:

- Fits most tubs to 24" high
- 1-1/2" brass tubing in 17 gauge
- Cast red brass coupling nuts supplied with 17 Gauge Tubing
- Heavy duty cast red brass head, tee and shoe
- Patented extra thick rubber overflow head gasket
- Pre-adjustable linkage
- Cast brass shoe plug
- Available in Chrome, Polished Brass, White, Biscuit and Brushed Nickel

Technical Specifications:

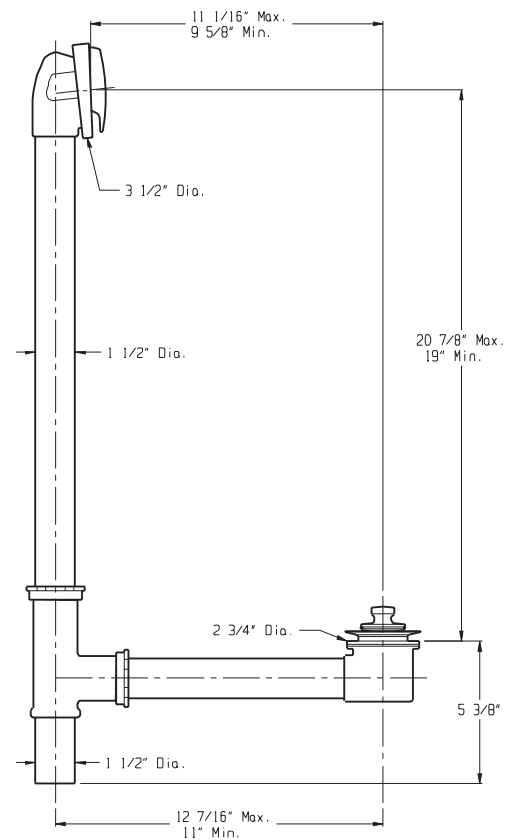
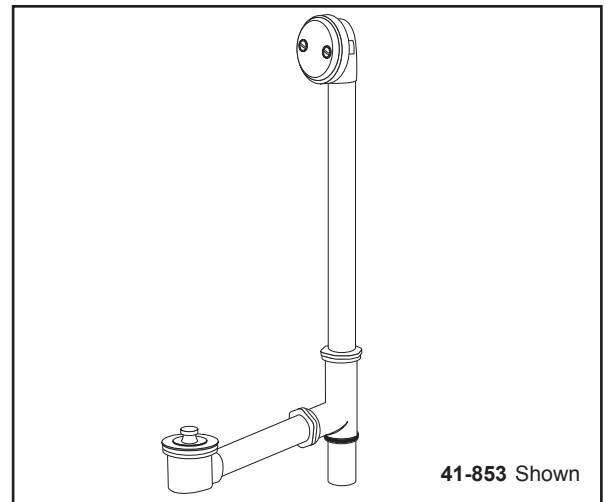
- CSA B125-93

Catalog Numbers:

- 41-853** 17 Gauge (Chrome)
- 81-847** 17 Gauge (Polished Brass)
- A1-841** 17 Gauge (Biscuit)
- N1-853** 17 Gauge (Brushed Nickel)
- W1-841** 17 Gauge (White)

Suffixes Available:

- 70 Female Outlet Tee
- 71 Philadelphia Trap (3 Nuts & Washers, Less Tailpiece)
- 72 Condensate Head (3/4" Inlet)
- 74 Philadelphia Tee (3 Nuts & washers, Less Tailpiece, Full 1 1/2" Wtrwy)
- 75 Brass Ferrules
- 76 Retaining Ring (Compliance w/Chicago code In Special Finishes)
- 77 6" Tailpiece
- 79 12" Tailpiece
- 87 Horizontal Installation (Excluding Trip Lever & Plastic)
- 88 "Clean Out Here" On Face Plate W/Retaining Ring (Chicago Code Chrome Only)
- 89 "Clean Out Here" & Chicago Code (#70 & #88)
- 92 Drain-In-Shoe Installation (Excluding Trip Lever)
- 97 Side Outlet Installation (Excluding Trip Lever & Plastic)



Job Name	
Date	
Model Specified	
Quantity	
Customer	
Contractor	
Architect/engineer	

GERBER®

PROFESSIONAL PERFORMANCE

Gerber Toll Free Technical Support: 888-648-6466
www.gerberonline.com