



Features:

- 1" extended parts
- Allow deeper installation
- Fit Logan Square™, Wicker Park™, Brianne™, Abigail™, Riverdale®, Carol Stream™, Waveland™ or Allerton™ T&S trim and Gerber PLUS™ only

Standards & Certifications:

None

Catalog Numbers:

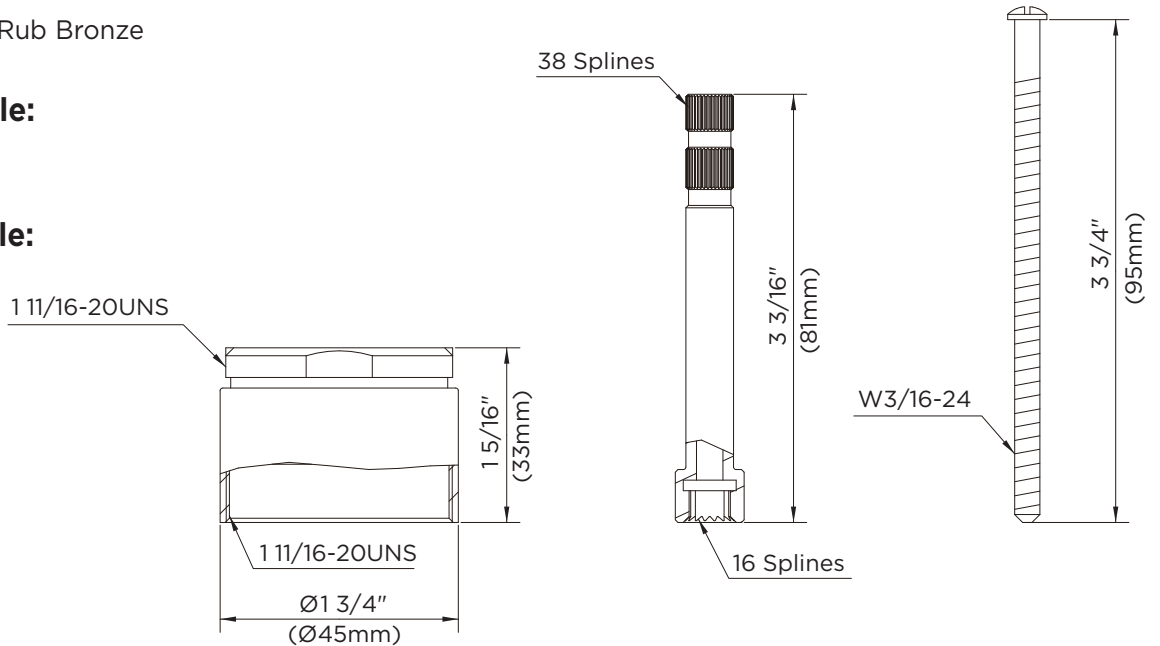
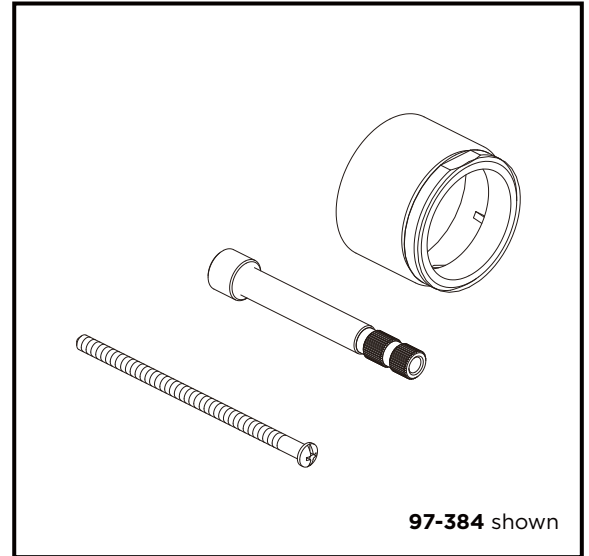
- 97-384** Chrome
- 97-384-BN** Brushed Nickel
- 97-384-RB** Oil Rub Bronze

Prefixes Available:

None

Suffixes Available:

None



Job Name	
Date	
Model Specified	
Quantity	
Customer	
Contractor	
Architect/engineer	