

**Features:**

- For Conversion of 2 and 3 Handle Showers
- Chrome Finish

Standards & Certifications:

None

Catalog Numbers:

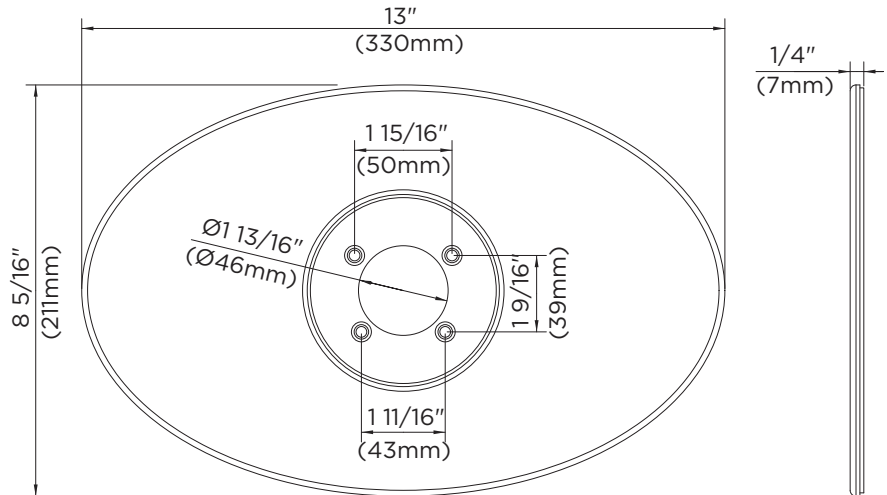
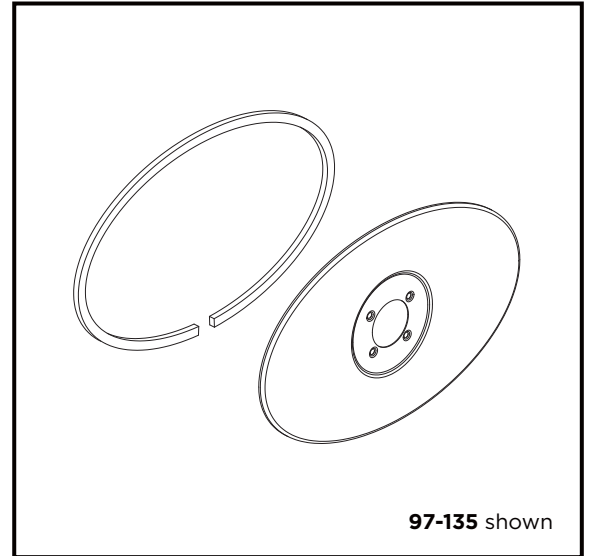
97-135 Chrome

Prefixes Available:

None

Suffixes Available:

None



Job Name	
Date	
Model Specified	
Quantity	
Customer	
Contractor	
Architect/engineer	

Gerber Toll Free Technical Support: 888-648-6466
www.gerberonline.com