



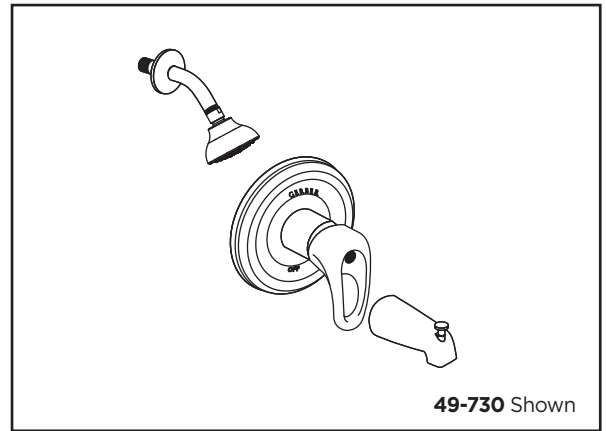
GERBER Safetemp™ Pressure Balance Valve Tub & Shower Fittings

49-730 Series



Features:

- Washerless cartridge
 - Adjustable maximum hot water temperature limit stop
 - Instant shut off in the event of hot or cold water failure
 - Pressure Balance design maintains $\pm 3^{\circ}\text{F}$ temperature range
 - Exposed parts have heavy chrome plated finish
 - Single function showerhead 49-107
- (Please note: For proper function, this valve has to be used with shower heads rated at 2.0 gpm (7.57 L/min) or higher.)
- 1/2" I.P.S. or 1/2" nominal copper sweat connections
 - Brass escutcheon, bonnet and sleeve
 - ADA compliant Gerber Hardwater® style zinc metal chrome plated handle operates with less than 5 lbs. of force
 - Spacer for thin wall installation
 - Optional - Extra large escutcheon/cover plate capable of covering 2-3 holes in wall (92-293)
 - Zinc die cast spout with internal diverter



Standards & Certifications:

- ASME A112.18.1
- ICC/ANSI A117.1

Catalog Numbers:

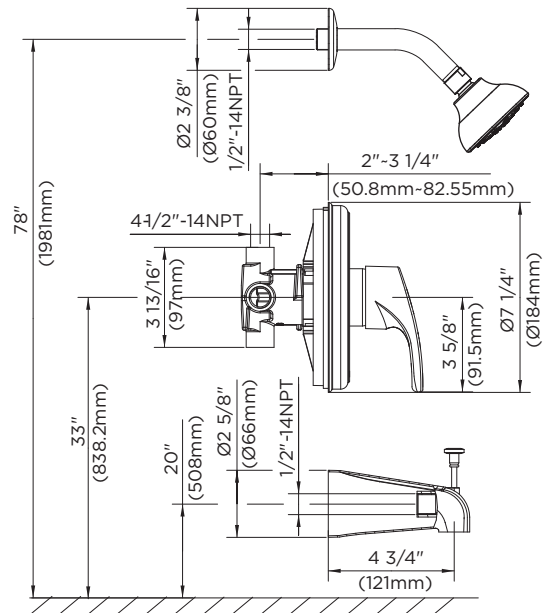
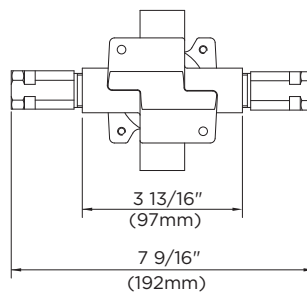
- 49-730** Without Stops, IPS, Chrome
- 49-731** Without Stops, Sweat, Chrome
- 49-733** With Stop, Chrome

Prefixes Available:

None

Suffixes Available:

-82 Slip Spout Diverter



Job Name	
Date	
Model Specified	
Quantity	
Customer	
Contractor	
Architect/engineer	

Gerber Toll Free Technical Support: 888-648-6466
www.gerberonline.com