



Features:

- 2 1/16" faceplate
- Plastic construction
- Single function
- 2.5 GPM (9.3 LPM) maximum @ 80 psi
- Chrome or brushed nickel finish available

Standards & Certifications:

None

Catalog Numbers:

- 49-199** Chrome
49-199-BN Brushed Nickel

Prefixes Available:

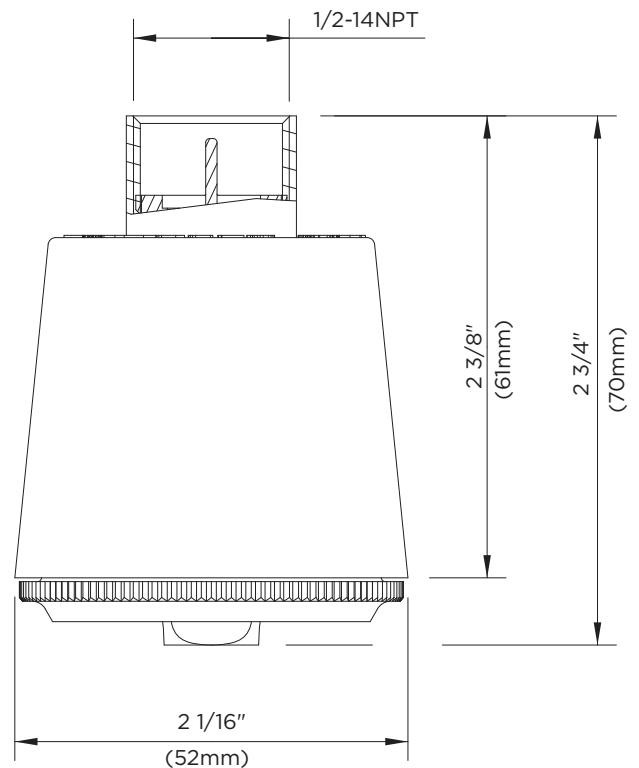
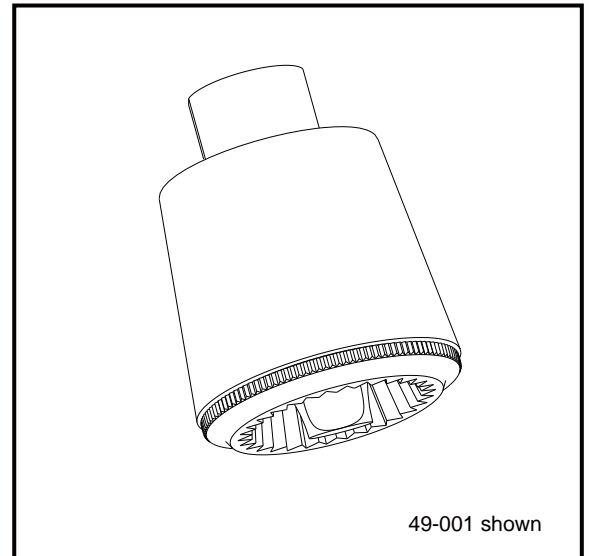
None

Suffixes Available:

None

Used In Faucet :

G9-012	G9-012-BN	G9-012-LP
G9-013	G9-013-BN	G9-013-LP
49-820	49-821	49-825
49-830	49-830-82	49-833
49-831	49-831-82	49-835
49-835-82	49-720	49-723
49-721	49-725	49-730
49-730-82	49-733	49-731
49-731-82	49-735	49-735-82
G9-130-LV	G9-130-LVBN	G9-131-LV
G9-131-LVBN	G9-120-LV	G9-120-LVBN
G9-130	GB-130	G9-131-82
GB-131-82	G9-120	GB-120
G9-130A	GB-130A	G9-131-82A
GB131-82A	G9-120A	GB-120A
58-460	58-400	58-400-82
58-420	58-420-82	48-220
07-48-220	48-221	07-48-221
48-220-83-G	07-48-220-83-G	48-221-83
07-48-221-83	48-224-83	48-720
07-48-720	48-721	07-48-721
48-720-82-83	48-720-83	07-48-720-83
48-724-83	46-220-83-G	07-46-220-83
46-520-83	47-920	07-47-920
58-500	58-500-51	58-510
58-510-81	58-520	58-520-81
48-030	07-48-030	48-031
07-48-031	48-031-81	07-48-031-81
48-030-83	48-030-83-G	07-48-030-83
07-48-030-83-G	48-031-81-83	07-48-031-81-83
48-031-83	48-031-83-G	07-48-031-83
07-48-031-83-G	48-034-83	07-48-034-83
C0-47-130-83	47-130-83	07-47-130-83
46-430-83-G	07-46-430-83	



Job Name	
Date	
Model Specified	
Quantity	
Customer	
Contractor	
Architect/engineer	

Gerber Toll Free Technical Support: 888-648-6466
www.gerberonline.com