




GERBER

48-030-83 Series Gerber Classics Three Handle Tub & Shower Fittings



Features:

- Compression stems
- Body cast of high copper content brass
- Exposed parts have heavy chrome plated finish
- Working parts can be easily replaced
- Single function showerhead 49-107 at max. 2.0GPM (7.6LPM) WaterSense listed 
- 1/2" I.P.S. or Sweat water inlet connections
- 8" centers with sliding sleeve escutcheons
- ADA compliant metal handles operate with less than 5 lbs. of force
- Three valve with center diverter
- Zinc die cast tub spout

Standards & Certifications:

- ANSI/ASME A112.18.1M
- ANSI A117.1 (ADA)
- CSA B125

Catalog Numbers:

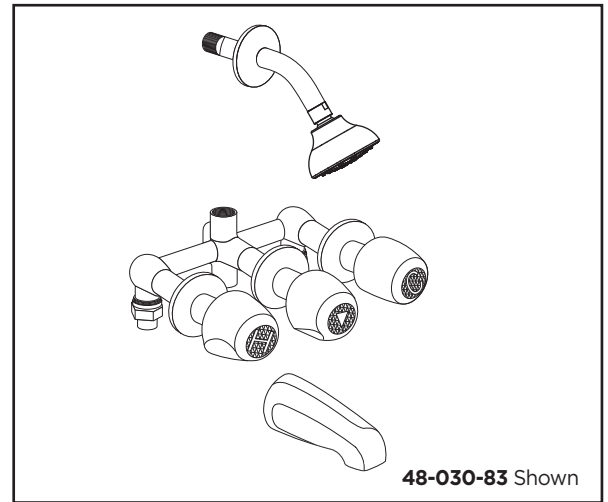
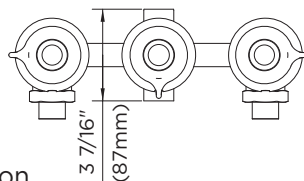
48-030-83	IPS/Sweat (Chrome), Metal Handles
48-030-83-G	IPS/Sweat (Chrome), Metal Handles
07-48-030-83	IPS/Sweat (Chrome), Metal Fluted Handles
07-48-030-83-G	IPS/Sweat (Chrome), Metal Fluted Handles
48-031-83	Sweat (Chrome), Metal Handles
48-031-83-G	Sweat (Chrome), Metal Handles
48-031-81-83	Sweat (Chrome), Metal Handles
07-48-031-83	Sweat (Chrome), Metal Fluted Handles
07-48-031-83-G	Sweat (Chrome), Metal Fluted Handles
07-48-031-81-83	Sweat (Chrome), Metal Fluted Handles

Prefixes Available:

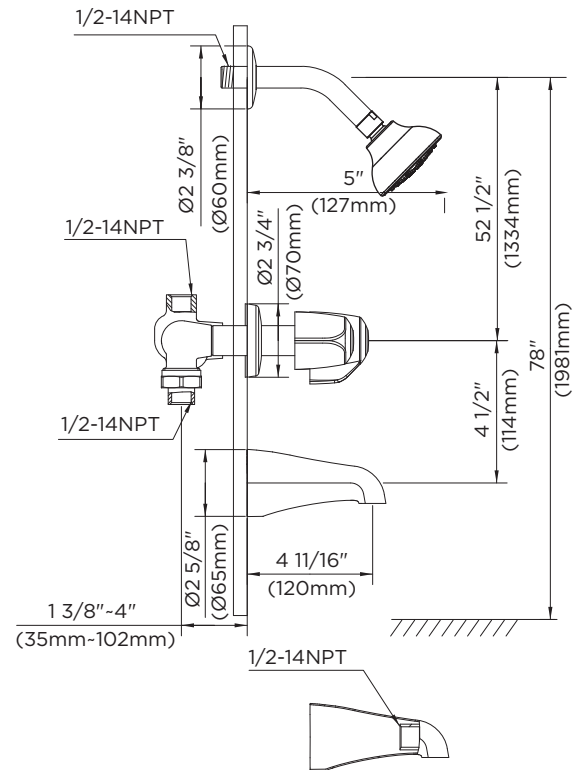
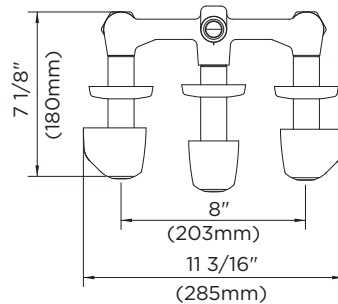
07- Metal Fluted Handles

Suffixes Available:

-83 Sliding Sleeve Escutcheon



48-030-83 Shown



Job Name	
Date	
Model Specified	
Quantity	
Customer	
Contractor	
Architect/engineer	

Gerber Toll Free Technical Support: 888-648-6466
www.gerberonline.com