



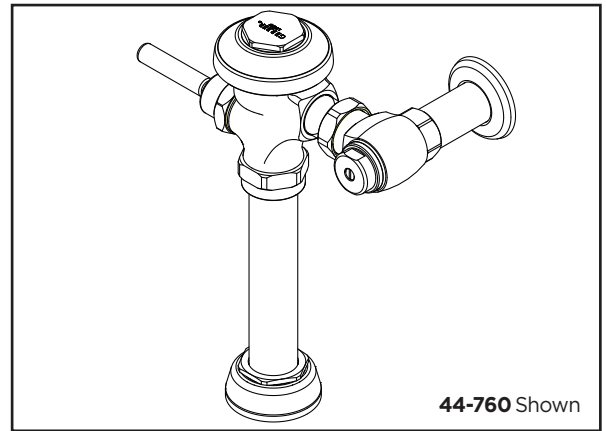
GERBER

44-760 Series Commercial Products Manual Toilet Flush Valve



Features:

- Manual flush valve for toilet
- Diaphragm type
- Adjustable between 4 1/2" to 5" from center of angle screw stop to center of the main housing
- Copper casting and chrome plated housing
- ADA compliant metal oscillating handle
- 1" IPS angle screw stop
- Ground joint piece included
- High back pressure vacuum breaker w/one piece bottom hex coupling nut
- Coupling and flange for 1 1/4" top spud bowl



Standards & Certifications:

- CABO/ANSI
- ASSE
- IAPMO/cUPC
- Mass Code

Catalog Numbers:

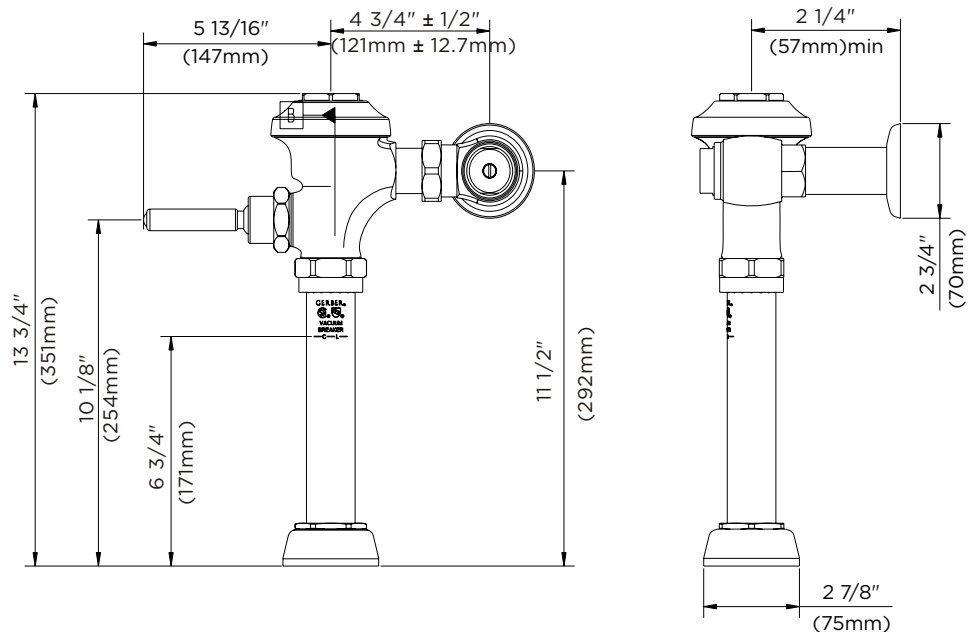
- 44-760** 1.6GPF
- 44-761** 1.6GPF w/ 1 1/4" tailpiece
- 44-762** 1.28GPF
- 44-763** 1.28GPF w/ 1 1/4" tailpiece

Prefixes Available:

None

Suffixes Available:

None



Job Name	
Date	
Model Specified	
Quantity	
Customer	
Contractor	
Architect/engineer	



Gerber Toll Free Technical Support: 888-648-6466
www.gerberonline.com