



GERBER

44-750 Series Commercial Products Manual Urinal Flush Valve



Features:

- Manual flush valve for urinal
- Diaphragm type
- Adjustable between 4 1/2" to 5" from center of angle screw stop to center of the main housing
- Copper casting and chrome plated housing
- ADA compliant metal oscillating handle
- 3/4" IPS angle screw stop
- Ground joint piece included
- High back pressure vacuum breaker w/one piece bottom hex coupling nut
- Coupling and flange for 3/4" top spud bowl

Standards & Certifications:

- CABO/ANSI
- ASSE
- IAPMO/cUPS
- Mass Code

Catalog Numbers:

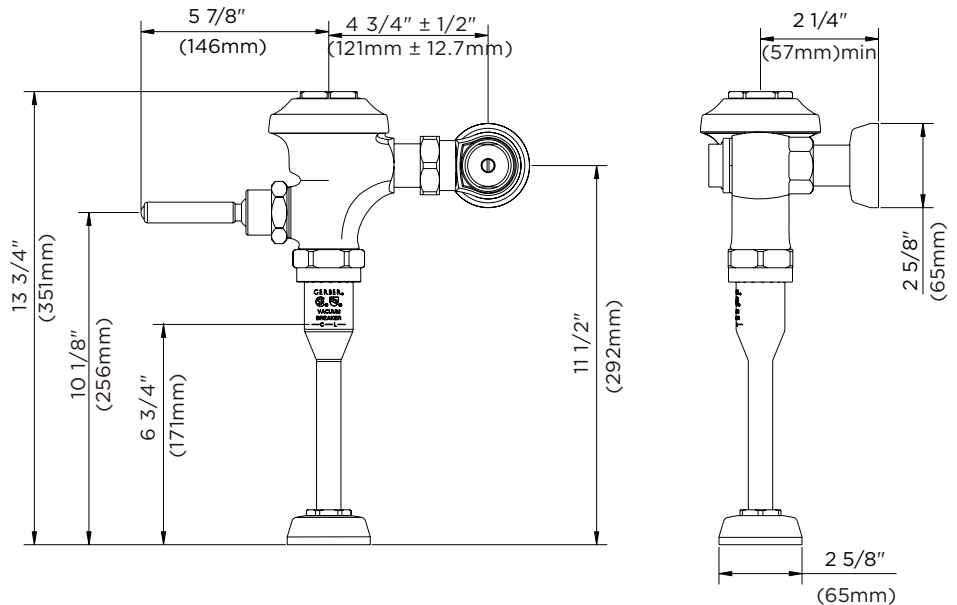
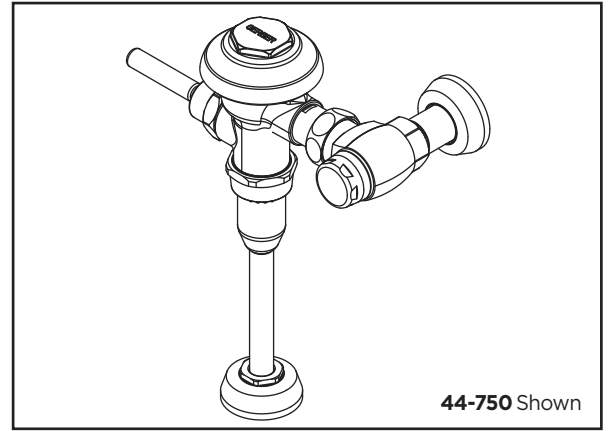
- 44-750** 1.0GPF
- 44-752** 0.5GPF
- 44-753** 1/8GPF

Prefixes Available:

None

Suffixes Available:

None



Job Name	
Date	
Model Specified	
Quantity	
Customer	
Contractor	
Architect/engineer	



Gerber Toll Free Technical Support: 888-648-6466
www.gerberonline.com