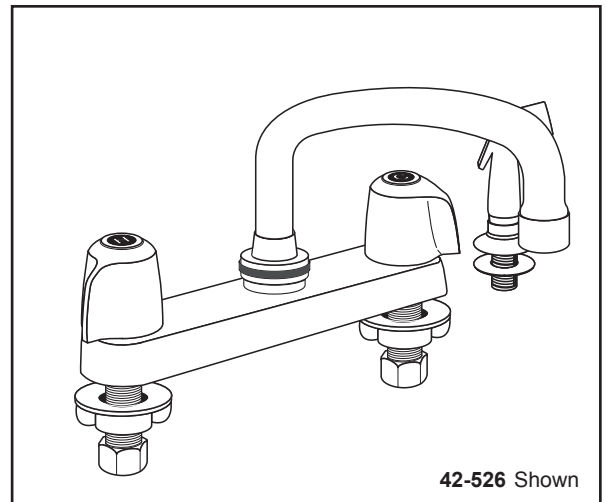


Features:

- Cast brass underbody with heavy chrome plated brass shell
- Metal handles with acrylic hot and cold index buttons
- Compression stems with renewable brass seats
- Working parts can be easily replaced
- Tubular spout
- 8" centers for mounting
- 2.2 gpm (8.3 L/min) @ 60 psi maximum aerator
- 1/2" NPSM supply connections with brass coupling nuts
- ADA compliant handles operate with less than 5 lbs. force





42-526 Shown

Technical Specifications:

- ASME A112.18.1M
- ASSE 1025
- CABO/ANSI A 117.1 (ADA)
- CSA B125
- ANSI/NSF 61-1997b

Catalog Numbers:

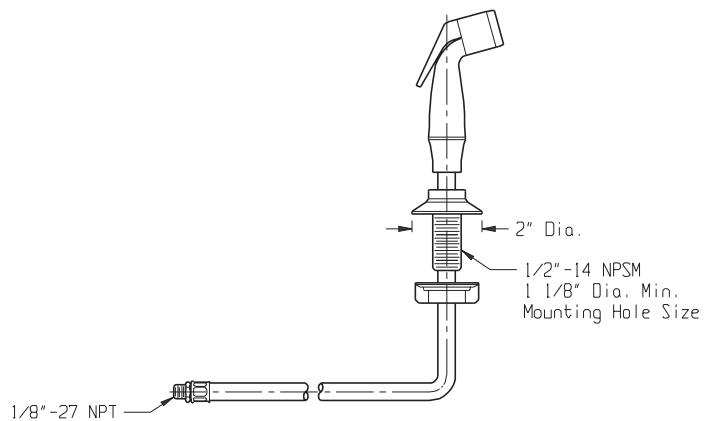
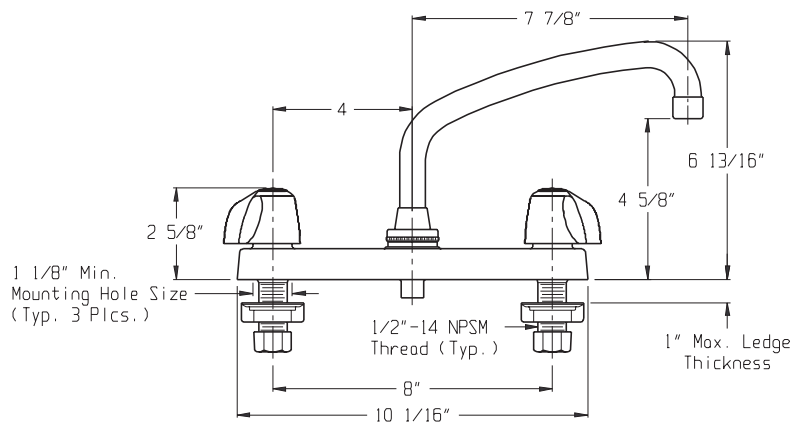
- 42-426 Less spray 
- 42-526 With spray 

Prefixes Available:

07 - With Old Style Handles 

Suffixes Available:

None



Job Name	
Date	
Model Specified	
Quantity	
Customer	
Contractor	
Architect/engineer	

GERBER®

PROFESSIONAL PERFORMANCE

Gerber Toll Free Technical Support: 888-648-6466
www.gerberonline.com

