



GERBER

40-143 Series

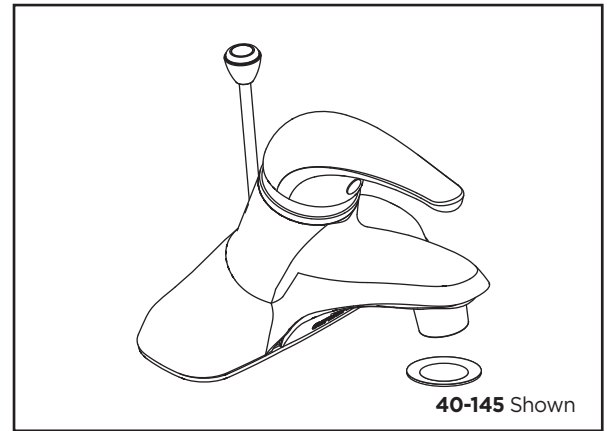
Maxwell®

Single Handle Lavatory Faucet



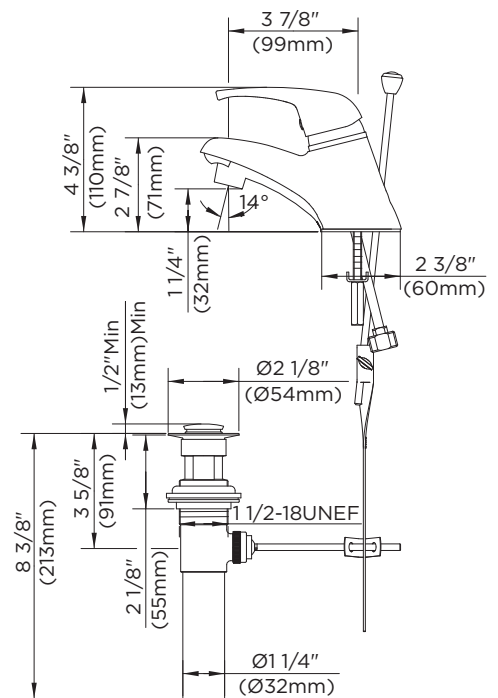
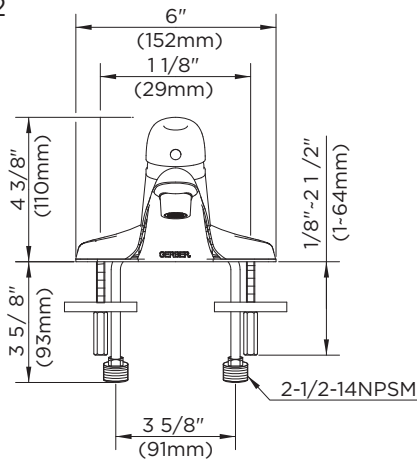
Features:

- 3 hole installation
- Ceramic disc cartridge, G0092298, w/temp limit stops
- Includes plastic pop-up drain GA605110 with color-matching cap and rough brass tailpiece; includes pop-up drain GA605007 with color-matching cap and rough brass tailpiece; includes 50/50 pop-up drain GA505020 with color-matching cap and black tailpiece cap and rough brass tailpiece; or no drain
- 4" center to center installation range
- Chrome, brushed nickel or tumbled bronze finish
- 1.5 gpm (5.7 L/min) maximum aerator G0091567 @ 60 psi
- Lead free waterway per NSF/ANSI 372
- Fully ADA compliant
- Limited lifetime warranty



Standards & Certifications:

- ASME A112.18.1M
- NSF/ANSI 372
- IAPMO/cUPC
- ICC/ANSI A117.1
- EPA/Watersense
- MASS Code



Catalog Numbers:

- 40-143** Less Drain Assembly, Chrome
- 40-143-BN** Less Drain Assembly, Brushed Nickel
- 40-144** Plastic Pop-up, Chrome
- 40-144-BN** Plastic Pop-up, Brushed Nickel
- 40-145** Brass Pop-up, Chrome
- 40-145-BN** Brass Pop-up, Brushed Nickel
- 40-145-BR** Brass Pop-up, Tumbled Bronze
- 40-146** 50/50 Pop-up, Chrome
- 40-146-BN** 50/50 Pop-up, Brushed Nickel
- 40-146-BR** 50/50 Pop-up, Tumbled Bronze

Suffixes Available:

- BN Brushed Nickel
- BR Tumbled Bronze

Job Name	
Date	
Model Specified	
Quantity	
Customer	
Contractor	
Architect/engineer	

Gerber Toll Free Technical Support: 888-648-6466
www.gerberonline.com