



# GERBER

## 40-128-W Series

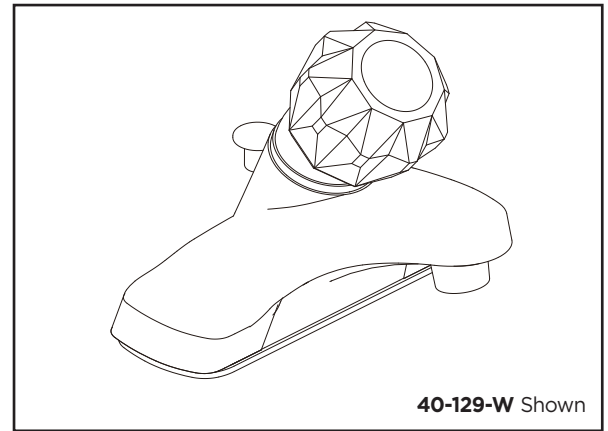
### Maxwell® SE

# Single Handle Lavatory Faucet



### Features:

- 3 hole installation
- Washerless cartridge G0097499
- Includes plastic pop-up drain G0097770 with color-matching cap and grey tailpiece or no drain
- 4" center to center installation range
- Chrome finish
- Acrylic Handle
- 1.2 gpm (4.5 L/min) maximum aerator GA50096355N @ 60 psi
- Lead free waterway per NSF/ANSI 372
- Fully ADA compliant
- Limited lifetime warranty
- Meets CEC requirements



40-129-W Shown

### Standards & Certifications:

- ASME A112.18.1M
- NSF/ANSI 372
- IAPMO/cUPC
- ICC/ANSI A117.1
- MASS Code
- EPA/WaterSense

### Catalog Numbers:

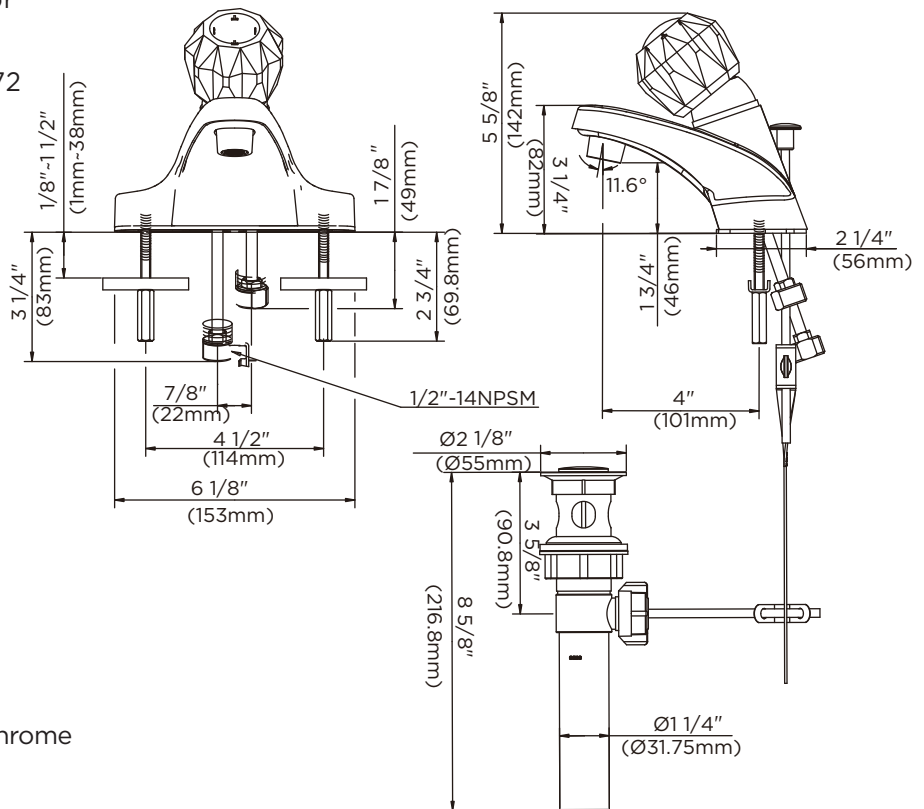
- 40-128-W**      Less drain, Chrome  
**40-129-W**      Plastic pop-up drain, Chrome

### Prefixes Available:

None

### Suffixes Available:

W: Washerless



Job Name	
Date	
Model Specified	
Quantity	
Customer	
Contractor	
Architect/engineer	

Gerber Toll Free Technical Support: 888-648-6466  
www.gerberonline.com