



# GERBER

## 40-114-W Series

### Maxwell® SE

# Single Handle Lavatory Faucet



### Features:

- 3 hole installation
- Washerless cartridge G0097499
- Includes plastic pop-up drain GA605110 with color-matching cap and rough brass tailpiece
- 4" center to center installation range
- Chrome or brushed nickel finish
- 1.2 gpm (4.5 L/min) maximum aerator GA50096355N @ 60 psi
- Lead free waterway per NSF/ANSI 372
- Fully ADA compliant
- Limited lifetime warranty
- Meets CEC requirements

### Standards & Certifications:

- ASME A112.18.1M
- NSF/ANSI 372
- IAPMO/cUPC
- ICC/ANSI A117.1
- MASS Code
- EPA/WaterSense

### Catalog Numbers:

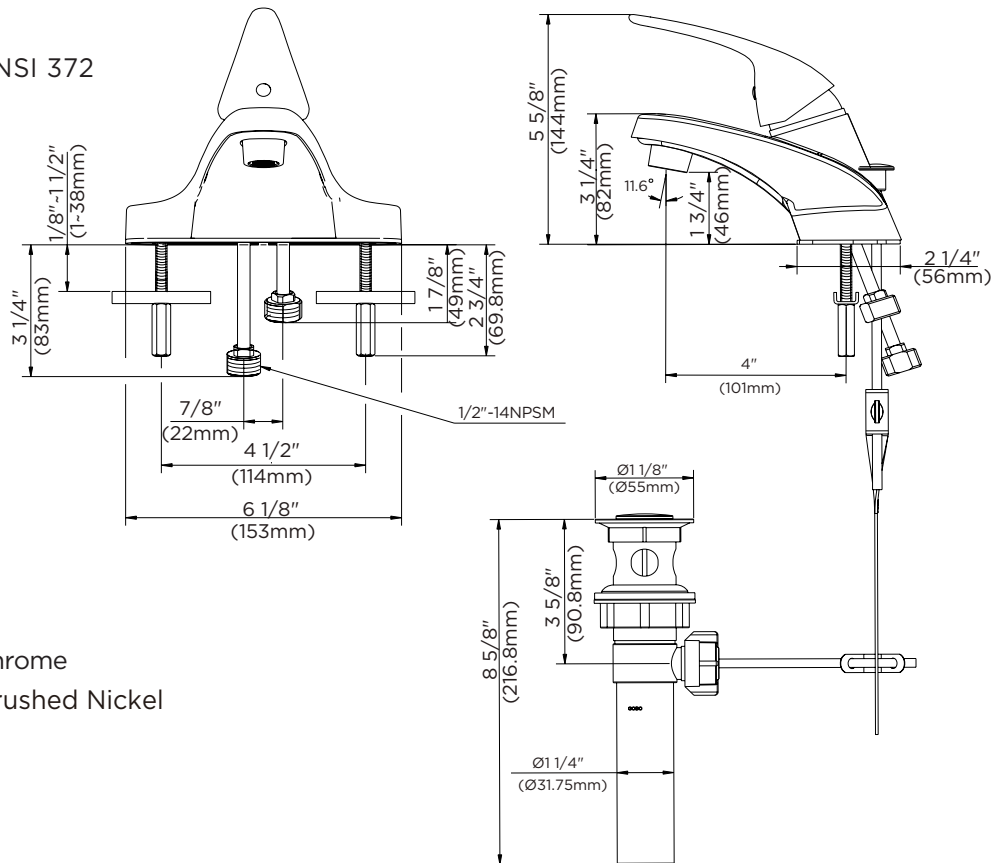
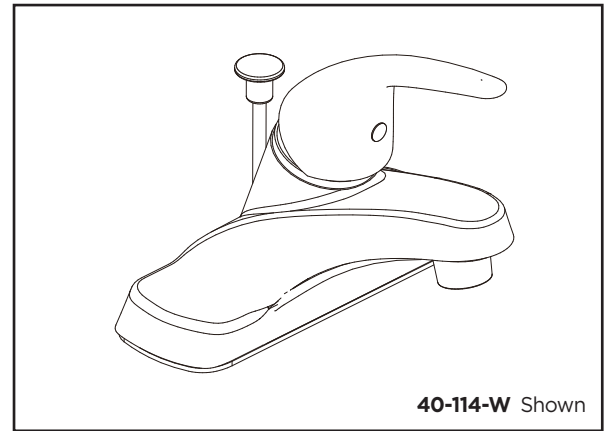
- 40-114-W** Plastic pop-up, Chrome  
**40-114-W-BN** Plastic pop-up, Brushed Nickel

### Prefixes Available:

None

### Suffixes Available:

- W: Washerless  
 BN: Brushed Nickel



|                    |  |
|--------------------|--|
| Job Name           |  |
| Date               |  |
| Model Specified    |  |
| Quantity           |  |
| Customer           |  |
| Contractor         |  |
| Architect/engineer |  |

Gerber Toll Free Technical Support: 888-648-6466  
 www.gerberonline.com