



VITREOUS CHINA

URINAL
27-750

LAVATORIES

TOILETS

BIDETS / URINALS

CAST IRON



CLINTON™ "Space Saver" Siphon Jet/Top Spud Wall Hung

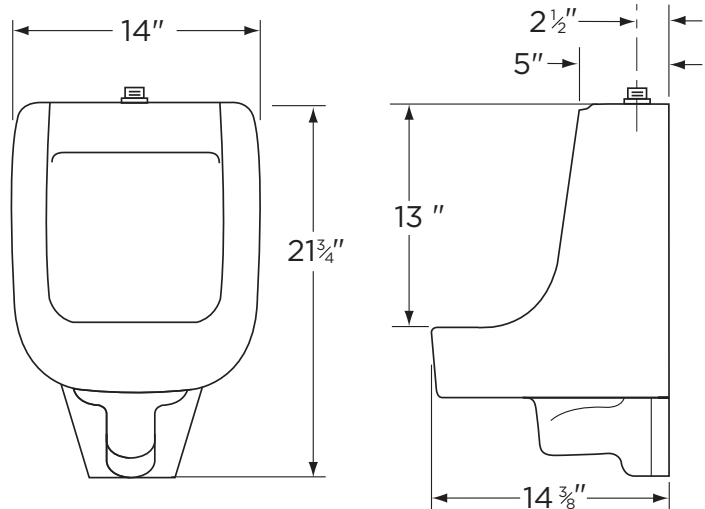
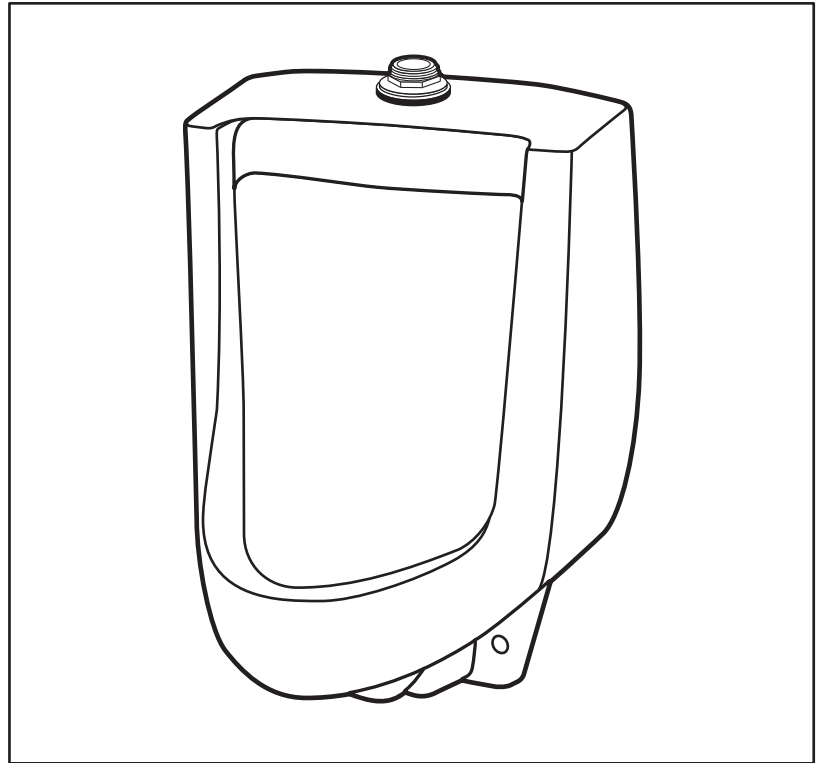


Features:

- Low Consumption 1.0 gpf (3.8 Lpf)
- Minimum Wall Space
- Dual Hangers
- For Exposed Flushometer (top spud)
1" x 3/4" Inlet
- 2" S.P.S. Female Outlet Connection
Supplied
- ADA Compliant

Dimensions:

Height 21 3/4"
 Width 14"
 Depth 14 3/8"
 Inlet 3/4"
 Outlet 2"
 Shipping Weight 41 lbs



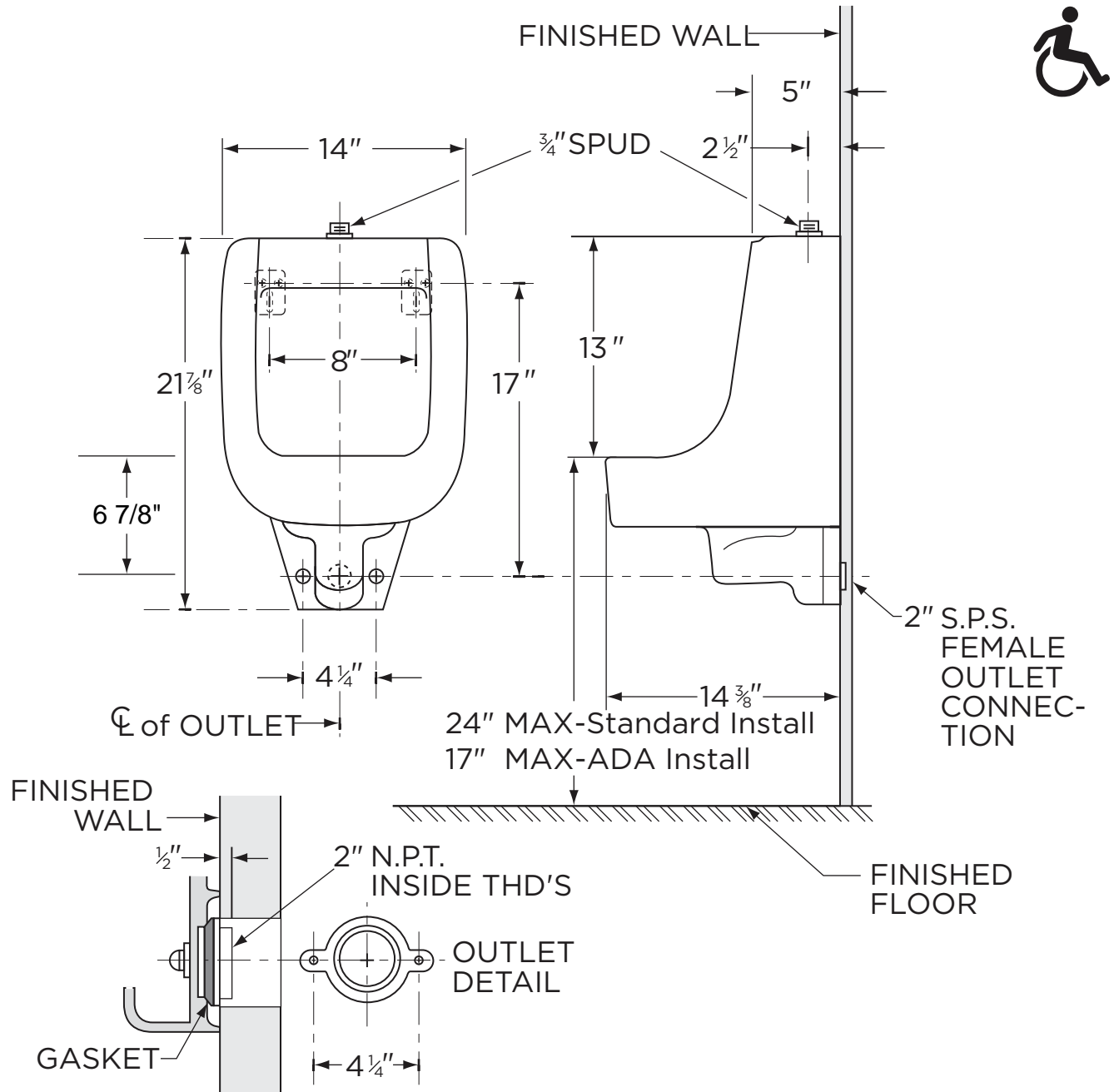
RECOMMENDED STATIC WATER PRESSURE FOR PLUMBING FIXTURES IS 20 - 80 PSI STATIC PER ANSI STANDARDS A112.19.2 APPENDIX B

THIS FIXTURE QUALIFIES ACCORDING TO ASME TEST PROCEDURES AS A LOW CONSUMPTION URINAL WITH AN AVERAGE CONSUMPTION PER FLUSH OF 1.0 gpf (3.8 Lpf) OR LESS.



www.gerberonline.com

Job Name	
Date	
Model Specified	
Quantity	
Customer	
Contractor	
Architect/engineer	



NOTES:

All dimensions are in inches. Use flush valve MFR'S recommended rough-in.

Recommended static water pressure for plumbing fixtures is 20-80 psi static per ANSI standards A112.19.2 Appendix B.

Illustrations may not be drawn to scale.

PLUMBERS NOTE:

Provide suitable reinforcement for all wall supports.

IMPORTANT:

Dimensions of fixtures are nominal and may vary within the range of tolerances established by ASME Standard A 112.19.2.

THIS FIXTURE QUALIFIES ACCORDING TO ASME TEST PROCEDURES AS A LOW CONSUMPTION URINAL WITH AN AVERAGE CONSUMPTION OF 1.0 gpf (3.8 Lpf) OR LESS.