



# GERBER

VITREOUS CHINA  
TOILET  
**21-910**

LAVATORIES

TOILETS

BIDETS / URINALS

CAST IRON

## MAXWELL® 1.28 Elongated Toilet

10" Rough-in

### Features:

- 1.28 gpf/4.8 Lpf high efficiency two-piece toilet
- Elongated Bowl
- Dual-fed siphon jet
- Pilot fill valve
- 3" flush valve
- 2" glazed trapway
- Color matched front tank lever (white only)
- Available in White and Biscuit
- 2 bolt caps

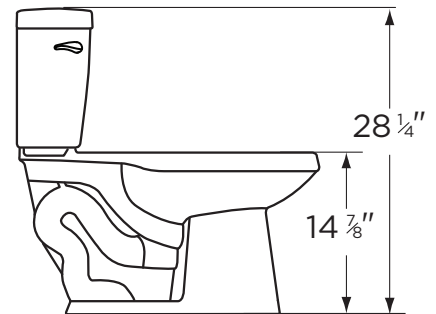
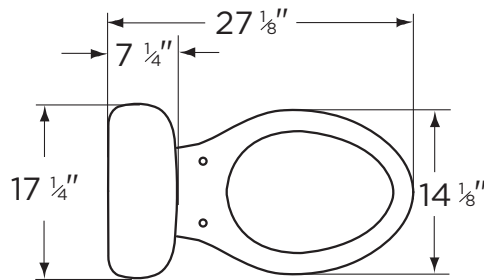


### Dimensions:

- Height ..... 28 1/4"
- Width ..... 17 1/4"
- Depth ..... 27 1/8"
- Rough-in ..... 10"
- Water Surface from Rim ..... 5 7/8"
- Trapway ..... 2"
- Water Surface ..... 10 7/8" x 7 1/2"
- Water Seal ..... 2 3/8"
- Shipping Weight ..... 73 lbs

**Specifications:** Bowl—#21-962 Elongated Bowl  
Seat not included

Tank—#28-995



THIS FIXTURE QUALIFIES  
ACCORDING TO ASME TEST  
PROCEDURES AS A HIGH-  
EFFICIENCY WATER CLOSET  
WITH AN AVERAGE CONSUMPTION  
OF 1.28 gpf (4.8 Lpf) OR LESS.

HIGH EFFICIENCY TOILET  
**HET**

[www.gerberonline.com](http://www.gerberonline.com)

Job Name	
Date	
Model Specified	
Quantity	
Customer	
Contractor	
Architect/engineer	



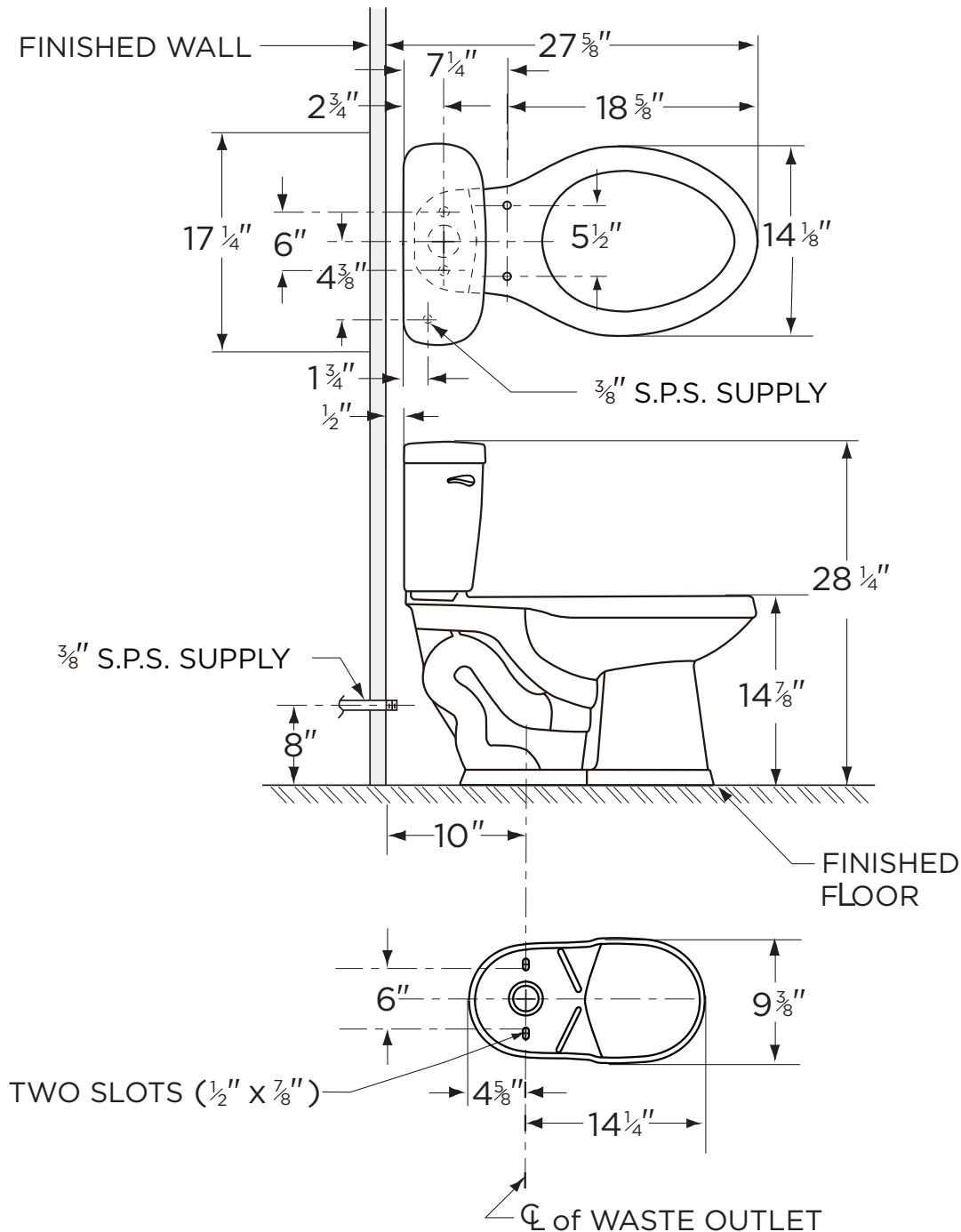
# GERBER

1.28 gpf (4.8 Lpf) MAXWELL® 1.28 TOILET

21-910

Elongated, 10" Rough-in

(Bowl 21-962 with Tank 28-995)



**NOTES:**

All dimensions are in inches.

Illustrations may not be drawn to scale.

**IMPORTANT:**

Dimensions of fixtures are nominal and may vary within the range of tolerances established by ASME Standard A 112.19.2.

THIS FIXTURE QUALIFIES ACCORDING TO ASME TEST PROCEDURES AS A HIGH-EFFICIENCY WATER CLOSET WITH AN AVERAGE CONSUMPTION OF 1.28 gpf (4.8 Lpf) OR LESS.